

Built-In All Freezer

E32AF75FPS professional series



Built-In Side-by-Side Configuration



Shown with companion, All-Refrigerator model E32AR7FPS and optional coordinated Double Louvered Trim Kit (DUORSRKIT).



Shown with optional coordinated Single Louvered Trim Kit (SFRRSRKIT).



PureAdvantage® Air Filtration System

Continuously filters the circulated air to maintain a fresher, cleaner interior. A status light alerts when the filter needs to be replaced, then with one touch, the filter exchange is made simple and easy.



Theatre Lighting

Transition lighting that is so thoughtfully designed that it gradually illuminates the interior of the freezer with soft but ample light.



Smooth-Glide™ Full-Extension System

Freezer storage drawers slide in and out with ease, extending completely for convenient access to stored food.



Tilt-Out Wire Door Bins

Help you store a variety of frozen food items in a smaller space.

BUILT-IN ALL FREEZER

CAPACITIES

Total Capacity	16.8 Cu. Ft.
Total Shelf Area	17 Sq. Ft.

INTERIOR CONVENIENCES

PureAdvantage® Air Filter	Yes
SpillSafe™ Sliding Glass Shelves	3
Fixed Glass Shelf	1
Smooth-Glide™ Full-Extension Storage Drawers	2
3-Position Adjustable Storage Drawer Dividers (per Drawer)	2
Tilt-Out Tall Door Wire Bin	1
Tilt-Out Short Door Wire Bins	2
White Adjustable Door Bins	2
Interior Light with Dual 40W Short Blue Bulbs	Yes
Theatre Lighting	Yes
Mid-Level Lighting with Dual 25W Short Blue Bulbs	Yes
Dynamic Cool™ Digital Temperature Control System	Yes
Ice Maker*	Yes
Door Closer	Yes
UltraQuiet™ Sound Package	Yes

ADDITIONAL FEATURES

ENERGY STAR®	Yes
--------------	-----

ACCESSORIES

Single Louvered Trim Kit – PN# SFRRSRKIT	Optional
Double Louvered Trim Kit – PN# DUORSRKIT	Optional

SPECIFICATIONS

Overall Exterior Dimensions –	
Height – Not Including 21/32" hinge cover (Cabinet)	65-1/8"
(Cabinet Including Optional Trim Kit Riser)	69-1/4" min. 70-1/4" max.
Width	32"
Depth (Including Door)	26-3/4"
(with 90° Door Open)	57-1/4"
Voltage Rating	115V/60 Hz/15 or 20A
Connected Load (kW Rating) @ 115 Volts†	0.55
Power Cord Location	Right Bottom Rear
Water Inlet Location	Left Bottom Rear
Shipping Weight (Approx.)	297 Lbs.

* Water filtration for All Freezer ice maker located in All Refrigerator.
† An electrical supply with grounded three-prong receptacle is required. The power supply circuit must be installed in accordance with current edition of National Electrical Code (NFPA 70) and local codes & ordinances.

NOTE: Always consult local and national electric and plumbing codes. Refer to Product Installation Guide for detailed installation instructions on the web at electroluxicon.com.

Specifications subject to change.

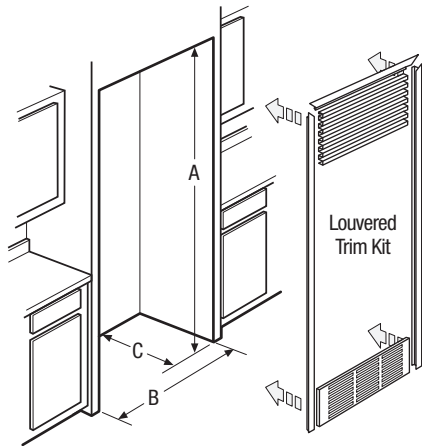
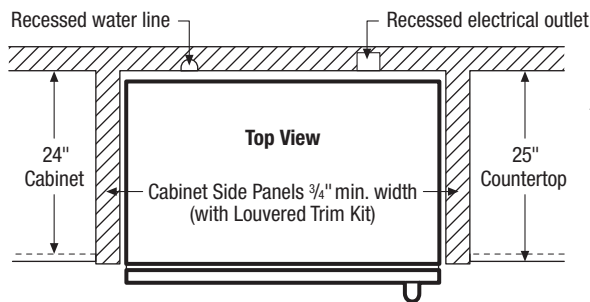
Optional Trim Kits

Single Louvered Trim Kit (SFRRSRKIT)

For single All-Freezer installation. Includes louvered top grille and vented, louvered toe kick, 4" riser with leveling system and side/top trim pieces.

Double Louvered Trim Kit (DUORSRKIT)

For All-Freezer/All-Refrigerator side-by-side installation. Includes full-width, louvered top grille and vented, louvered toe kick, two 4" risers with leveling systems and side/top trim pieces.



Cutout Dimensions

Built-In All Freezer (without Trim Kit & Riser)

Single Unit Installation
(A) 66" (B) 33" (C) 25 1/4" min.*

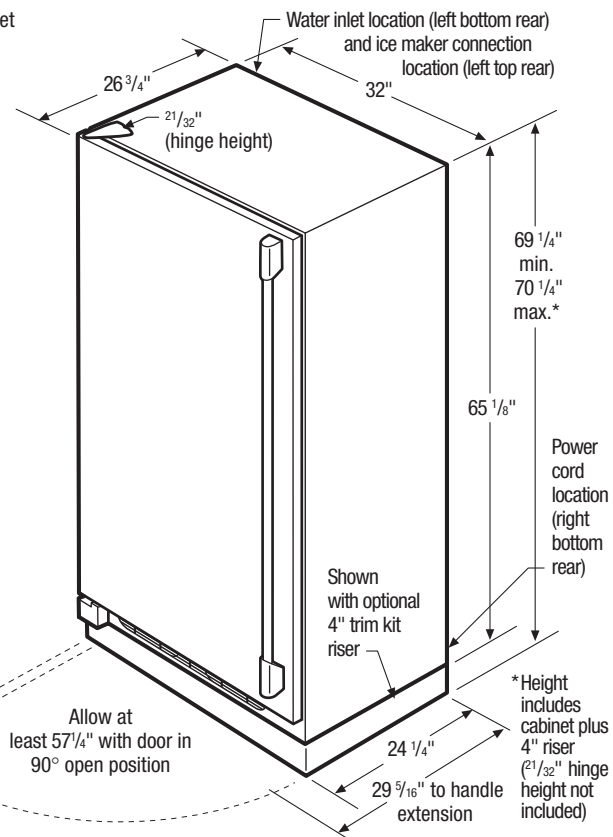
**Double Unit
Side-by-Side Installation**
(A) 66" (B) 66" (C) 25 1/4" min.*

Built-In All Freezer (with Louvered Trim Kit & Riser)

Single Unit Installation
(A) 79" (B) 33" (C) 25 1/4" min.*

**Double Unit
Side-by-Side Installation**
(A) 79" (B) 66" (C) 25 1/4" min.*

*Minimum depth from face of cabinet side panels and requires recessed electrical outlet and water line.



Note: Optional Louvered Trim Kits available for Built-In All Freezer. For specifications, refer to Louvered Trim Kits Installation page on web.

32" Built-In All-Freezer Specifications

- Product Weight – approx. 266 Lbs.
- An electrical supply with grounded three-prong receptacle is required. The power supply circuit must be installed in accordance with current edition of National Electrical Code (NFPA 70) and local codes & ordinances.
- Voltage Rating – 115V/60 Hz/15 or 20 Amps
- Connected Load (kW Rating) @ 115 Volts = 0.55kW
- Amps @ 115 Volts = 5 Amps
- Always consult local and national electric & plumbing codes.
- Minimum opening of 66" H x 33" W x 25-1/4" D required for single-unit "Built-In Look" installation; 66" W required for double-unit installation. (66" H to be measured from finished floor to underside of soffit or overhead cabinet.)
- Remove all wall/floor molding prior to built-in installation.
- Water filter system for ice maker is located in All-Refrigerator model E32AR7FPS. For side-by-side installation, refer to web for details on ice maker water supply hookup. If All-Freezer unit is to be installed alone, direct plumbing recommended.
- Minimum 25-1/4" depth requires recessed electrical outlet and copper water line.

- Water line can enter opening through floor or rear wall. Copper tubing recommended between cold water line and water connection location. Water line tubing recommended is 48" minimum length by 1/4" diameter. Installation of easily accessible shutoff valve in water line required.
- To allow for ease of moving out side-by-side units after installation, 84" minimum length of coiled copper tubing recommended.
- When installing next to wall where handle may make contact, allow 4" minimum clearance for 90° door swing. At 90° door stop position, drawer access will be maintained but removal will be restricted.
- Freezer must be placed on level surface of hard material, same height as flooring. Surface must support approximately 600 lbs. when fully loaded. Unit equipped with 4-point leveling.
- If optional Single or Double Louvered Trim Kit is to be used, different cutout dimensions are required. (Refer to cutout dimensions on this page and to Louvered Trim Kits Installation Specifications page on web.)

Note: For planning purposes only. Refer to Product Installation Guide on the web at electroluxicon.com for detailed instructions.

Optional Accessories

- Single Louvered Trim Kit – (PN# SFRRSRKIT).
- Double Louvered Trim Kit – (PN# DUORSRKIT).

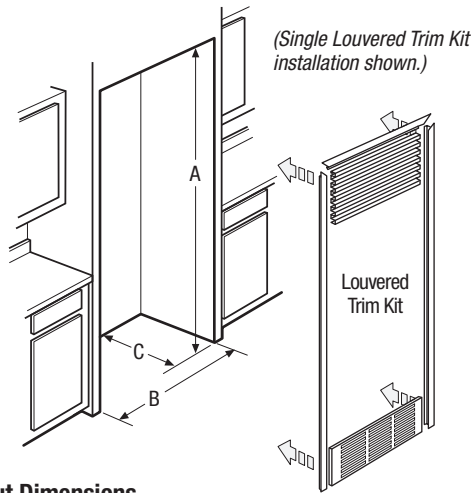
Louvered Trim Kits

Single All-Freezer Kit (SFRRSRKIT) Single All-Refrigerator Kit (SRRRSRKIT)

Single Kits include: Louvered top grille and vented, louvered toe kick, 4" riser with leveling system and side/top trim pieces.

Double All-Freezer/All-Refrigerator Kit (DUORSRKIT)

Double Kit includes: Louvered top grille and vented, louvered toe kick, two 4" risers with leveling systems and side/top trim pieces.



Cutout Dimensions

Single Unit Installation

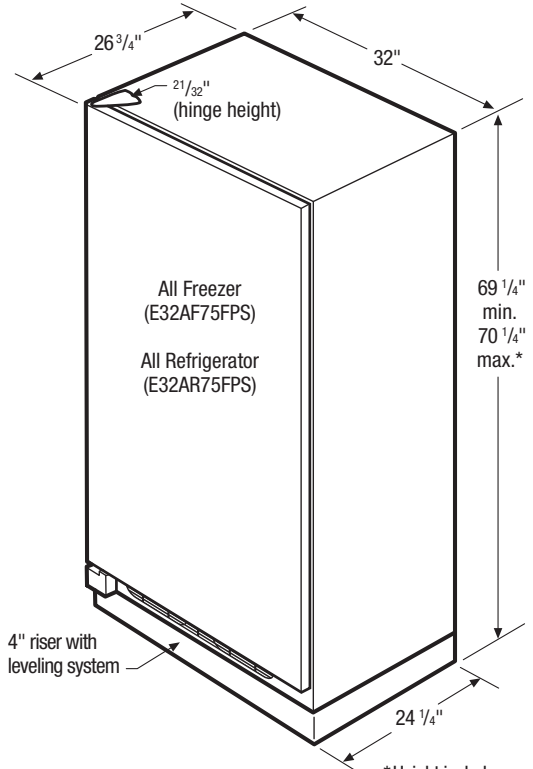
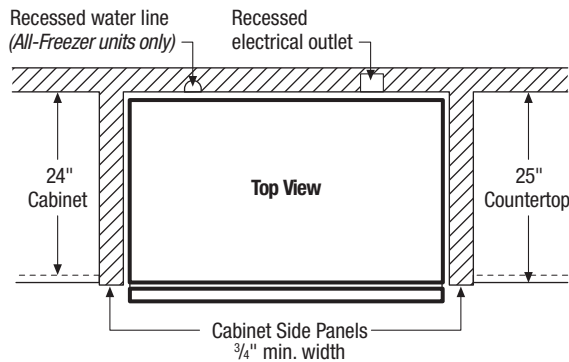
(A) 79" (B) 33" (C) 25 1/4" min.*

Double Unit Side-by-Side Installation

(A) 79" (B) 66" (C) 25 1/4" min.*

*Minimum depth from face of cabinet side panels and requires recessed electrical outlet and water line.

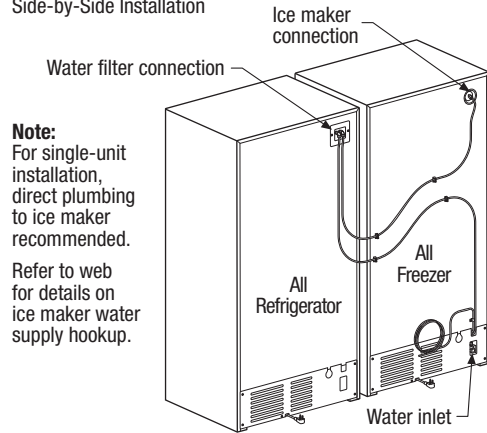
Note: Refer to detailed Louvered Trim Kit Installation instructions included with kit or on web.



*Height includes cabinet plus 4" riser (2 1/32" hinge height not included)

Ice Maker Water Supply Hookup

For All-Freezer/All-Refrigerator Side-by-Side Installation



Note: For single-unit installation, direct plumbing to ice maker recommended. Refer to web for details on ice maker water supply hookup.

All-Freezer and All-Refrigerator Optional Louvered Trim Kits Specifications

- To use Single Louvered Trim Kit (PN# SFRRSRKIT or PN# SRRRSRKIT), an enclosure is required around All Freezer or All Refrigerator having an opening of 79" H x 33" W with minimum cabinet side panels of 25-1/4" D x 3/4" W.
- To use Double Louvered Trim Kit (PN# DUORSRKIT), an enclosure is required around All Freezer and All Refrigerator having an opening of 79" H x 66" W with minimum cabinet side panels of 25-1/4" D x 3/4" W.
- Minimum 25-1/4" depth requires recessed electrical outlet and water line.

- Cabinet or soffit above unit must extend out to same depth as side panels.
- Minimum 7' x 8' clear floor space required for Single Trim Kit assembly, minimum 10' x 8' clear floor space required for Double Trim Kit assembly.
- For detailed All-Freezer and All-Refrigerator installations, refer to model-specific product page and installation guide on web.

Note: For planning purposes only. Refer to Product Installation Guide on the web at electroluxicon.com for detailed instructions.

Electrolux Major Appliances, N.A.

USA • 250 Bobby Jones Expressway • Augusta, GA 30907 • 1-877-4electrolux (1-877-435-3287) • electroluxicon.com
CANADA • 5855 Terry Fox Way • Mississauga, ON L5V 3E4 • 1-800-265-8352 • electroluxicon.ca

High standards of quality at Electrolux Home Products, Inc. mean we are constantly working to improve our products. We reserve the right to change specifications or discontinue models without notice.

Built-In All Refrigerator

E32AR75FPS professional series



Built-In Side-by-Side Configuration



Shown with companion, All-Freezer model E32AF75FPS and optional coordinated Double Louvered Trim Kit (DUORSRKIT).

Shown with optional coordinated Single Louvered Trim Kit (SRRRSRKIT).



PureAdvantage® Filtration Systems

The most advanced filtration systems available offer fresher, cleaner air, ice and water. Status lights alert when the air and water filters need to be replaced, then with one touch, the filter exchange is made simple and easy.



Theatre Lighting

Transition lighting that is so thoughtfully designed that it gradually illuminates the interior of the refrigerator with soft but ample light.



Extra-Wide Glass Shelves

Three glass slide-out shelves are encapsulated to contain spills and are large enough to hold a platter or serving tray up to 25-inches wide.



Smooth-Glide™ Full-Extension System

Crispers with adjustable dividers and deli drawer, slide in and out with ease, extending completely for convenient access to stored food.

BUILT-IN ALL REFRIGERATOR

CAPACITIES

Total Capacity	16.51 Cu. Ft.
Total Shelf Area	17.5 Sq. Ft.

INTERIOR CONVENIENCES

PureAdvantage® Water Filter*	Yes
PureAdvantage® Air Filter	Yes
Encapsulated Sliding Glass Shelves	3
Fixed Glass Shelf	1
Smooth-Glide™ Full-Extension Crispers	2
Smooth-Glide™ Full-Extension Deli Drawer	1
3-Position Adjustable Crisper Dividers (per Crisper)	2
Clear Dairy Door	1
Clear 1-Gallon Removable Door Bin	1
Clear 2-Liter Adjustable Door Bin	4
Clear Tall Bottle Retainer	1
Clear Door Bin Snuggler	1
Interior Light with Dual 40W Short Blue Bulbs	Yes
Theatre Lighting	Yes
Mid-Level Lighting with Dual 25W Short Blue Bulbs	Yes
Dynamic Cool™ Digital Temperature Control System	Yes
Door Closer	Yes
Luxury-Quiet™ Sound Package	Yes

ADDITIONAL FEATURES

ENERGY STAR®	Yes
--------------	-----

ACCESSORIES

Single Louvered Trim Kit – PN# SRRRSRKIT	Optional
Double Louvered Trim Kit – PN# DUORSRKIT	Optional

SPECIFICATIONS

Overall Exterior Dimensions –	
Height – Not Including 21/32" hinge cover (Cabinet)	65-1/8"
(Cabinet Including Optional Trim Kit Riser)	69-1/4" min. 70-1/4" max.
Width	32"
Depth (Including Door)	26-3/4"
(with 90° Door Open)	57-1/4"
Voltage Rating	115V/60 Hz/15 or 20A
Connected Load (kW Rating) @ 115 Volts†	0.55
Power Cord Location	Right Bottom Rear
Shipping Weight (Approx.)	290 Lbs.

* Provides water filtration for All Freezer ice maker.

† An electrical supply with grounded three-prong receptacle is required. The power supply circuit must be installed in accordance with current edition of National Electrical Code (NFPA 70) and local codes & ordinances.

NOTE: Always consult local and national electric and plumbing codes. Refer to Product Installation Guide for detailed installation instructions on the web at electroluxicon.com.

Specifications subject to change.

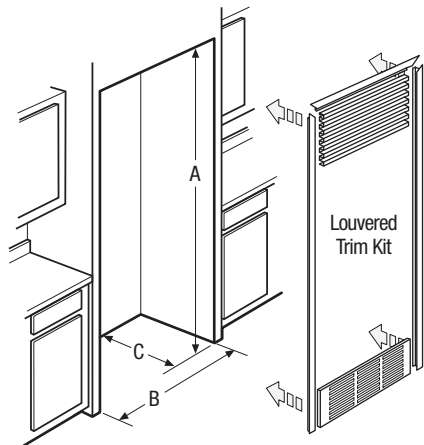
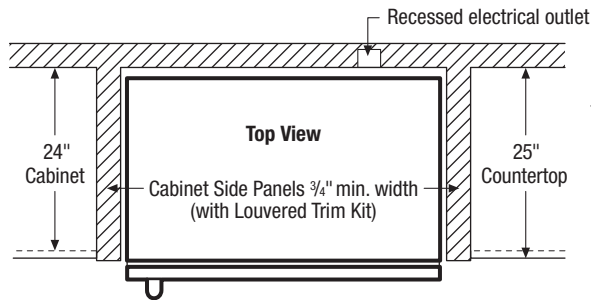
Optional Trim Kits

Single Louvered Trim Kit (SRRRSRKIT)

For single All-Refrigerator installation. Includes louvered top grille and vented, louvered toe kick, 4" riser with leveling system and side/top trim pieces.

Double Louvered Trim Kit (DUORSRKIT)

For All-Freezer/All-Refrigerator side-by-side installation. Includes full-width, louvered top grille and vented, louvered toe kick, two 4" risers with leveling systems and side/top trim pieces.



Cutout Dimensions

Built-In All Refrigerator (without Trim Kit & Riser)

Single Unit Installation
(A) 66" (B) 33" (C) 25 1/4" min.*

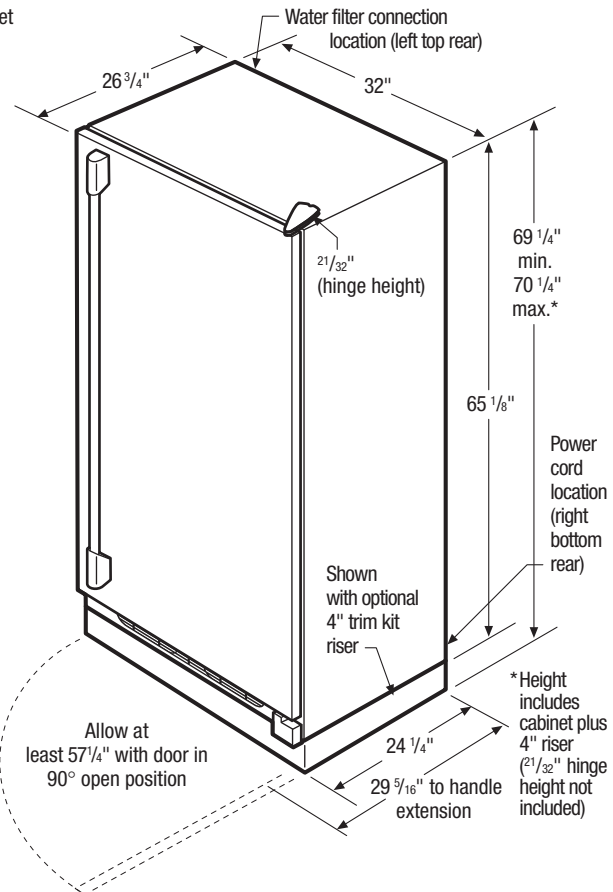
Double Unit Side-by-Side Installation
(A) 66" (B) 66" (C) 25 1/4" min.*

Built-In All Refrigerator (with Louvered Trim Kit & Riser)

Single Unit Installation
(A) 79" (B) 33" (C) 25 1/4" min.*

Double Unit Side-by-Side Installation
(A) 79" (B) 66" (C) 25 1/4" min.*

*Minimum depth from face of cabinet side panels and requires recessed electrical outlet.



Note: Optional Louvered Trim Kits available for Built-In All Refrigerator. For specifications, refer to Louvered Trim Kits Installation page on web.

32" Built-In All-Refrigerator Specifications

- Product Weight – approx. 275 Lbs.
- An electrical supply with grounded three-prong receptacle is required. The power supply circuit must be installed in accordance with current edition of National Electrical Code (NFPA 70) and local codes & ordinances.
- Voltage Rating – 115V/60 Hz/15 or 20 Amps
- Connected Load (kW Rating) @ 115 Volts = 0.55kW
- Amps @ 115 Volts = 5 Amps
- Always consult local and national electric & plumbing codes.
- Minimum opening of 66" H x 33" W x 25-1/4" D required for single-unit "Built-In Look" installation; 66" W required for double-unit installation. (66" H to be measured from finished floor to underside of soffit or overhead cabinet.)
- Remove all wall/floor molding prior to built-in installation.
- Water filter system for All-Freezer model E32AF75FPS ice maker is located in All Refrigerator. For side-by-side installation, refer to web for details on ice maker water supply hookup. If All-Freezer unit is to be installed alone, direct plumbing recommended.
- Minimum 25-1/4" depth requires recessed electrical outlet.

- When installing next to wall where handle may make contact, allow 4" minimum clearance for 90° door swing. At 90° door stop position, drawer access will be maintained but removal will be restricted.
- Refrigerator must be placed on level surface of hard material, same height as flooring. Surface must support approximately 600 lbs. when fully loaded. Unit equipped with 4-point leveling.
- If optional Single or Double Louvered Trim Kit is to be used, different cutout dimensions are required. (Refer to cutout dimensions on this page and to Louvered Trim Kits Installation Specifications page on web.)

Note: For planning purposes only. Refer to Product Installation Guide on the web at electroluxicon.com for detailed instructions.

Optional Accessories

- Single Louvered Trim Kit – (PN# SRRRSRKIT).
- Double Louvered Trim Kit – (PN# DUORSRKIT).

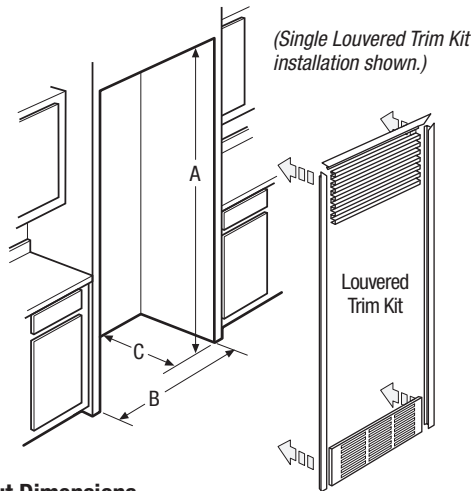
Louvered Trim Kits

Single All-Freezer Kit (SFRRSRKIT) Single All-Refrigerator Kit (SRRRSRKIT)

Single Kits include: Louvered top grille and vented, louvered toe kick, 4" riser with leveling system and side/top trim pieces.

Double All-Freezer/All-Refrigerator Kit (DUORSRKIT)

Double Kit includes: Louvered top grille and vented, louvered toe kick, two 4" risers with leveling systems and side/top trim pieces.



Cutout Dimensions

Single Unit Installation

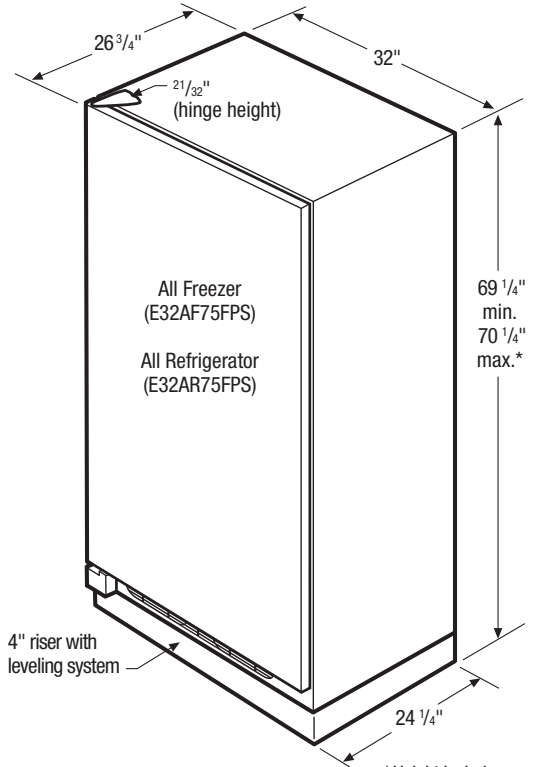
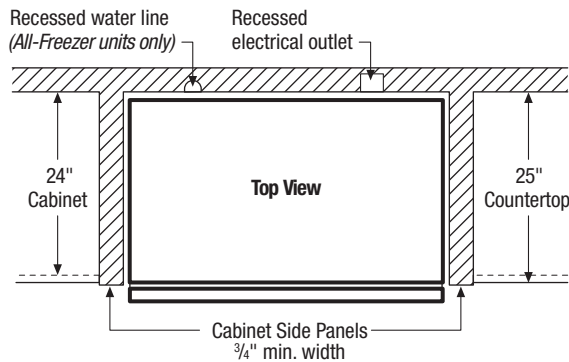
(A) 79" (B) 33" (C) 25 1/4" min.*

Double Unit Side-by-Side Installation

(A) 79" (B) 66" (C) 25 1/4" min.*

*Minimum depth from face of cabinet side panels and requires recessed electrical outlet and water line.

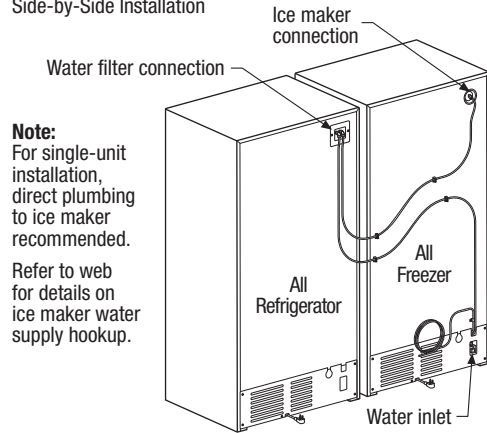
Note: Refer to detailed Louvered Trim Kit Installation instructions included with kit or on web.



*Height includes cabinet plus 4" riser (2 1/32" hinge height not included)

Ice Maker Water Supply Hookup

For All-Freezer/All-Refrigerator Side-by-Side Installation



Note: For single-unit installation, direct plumbing to ice maker recommended. Refer to web for details on ice maker water supply hookup.

All-Freezer and All-Refrigerator Optional Louvered Trim Kits Specifications

- To use Single Louvered Trim Kit (PN# SFRRSRKIT or PN# SRRRSRKIT), an enclosure is required around All Freezer or All Refrigerator having an opening of 79" H x 33" W with minimum cabinet side panels of 25-1/4" D x 3/4" W.
- To use Double Louvered Trim Kit (PN# DUORSRKIT), an enclosure is required around All Freezer and All Refrigerator having an opening of 79" H x 66" W with minimum cabinet side panels of 25-1/4" D x 3/4" W.
- Minimum 25-1/4" depth requires recessed electrical outlet and water line.

- Cabinet or soffit above unit must extend out to same depth as side panels.
- Minimum 7' x 8' clear floor space required for Single Trim Kit assembly, minimum 10' x 8' clear floor space required for Double Trim Kit assembly.
- For detailed All-Freezer and All-Refrigerator installations, refer to model-specific product page and installation guide on web.

Note: For planning purposes only. Refer to Product Installation Guide on the web at electroluxicon.com for detailed instructions.

Electrolux Major Appliances, N.A.

USA • 250 Bobby Jones Expressway • Augusta, GA 30907 • 1-877-4electrolux (1-877-435-3287) • electroluxicon.com
CANADA • 5855 Terry Fox Way • Mississauga, ON L5V 3E4 • 1-800-265-8352 • electroluxicon.ca