

Downdraft Vent

E36DD75ESS



36" DOWNDRAFT VENT

FEATURES

Installation Type	Countertop Mount
Vent Motor Location	External
Air Discharge	Down
Air Delivery (CFM)	1600
Intake Area	10"
Controls	Dial
Infinite-Speed Blower*	Yes
Dishwasher Safe Stainless Steel Filters	Yes
Exhaust Duct	External
Duct Required	3-1/4" x 10"

SPECIFICATIONS

Overall Dimensions –	
Height (Including 10" Rise)	40"
Width	36"
Depth	3-27/32"
Voltage Rating	120V/60Hz/15A
Connected Load (kW Rating) @ 120 Volts†	1.0
Motor Power Cord Location	Bottom Right
Shipping Weight (Approx.)	55 Lbs.

*For use on adequately wired 120V, dedicated circuit having 2-wire service with a separate ground wire. Appliance must be grounded for safe operation.

†The blower assembly part number is 5304444802 — shipped in separate box.

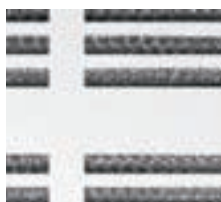
NOTE: Always consult local and national electric codes. Refer to Product Installation Guide for detailed installation instructions on the web at electroluxicon.com.

Specifications subject to change.



Infinite-Speed Control

The ultraquiet blower allows you to dial in the precise airflow needed.



Removable, Easy-Clean Filters

Filters are easy to remove and clean in your dishwasher to restore to like-new condition.



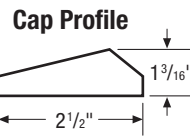
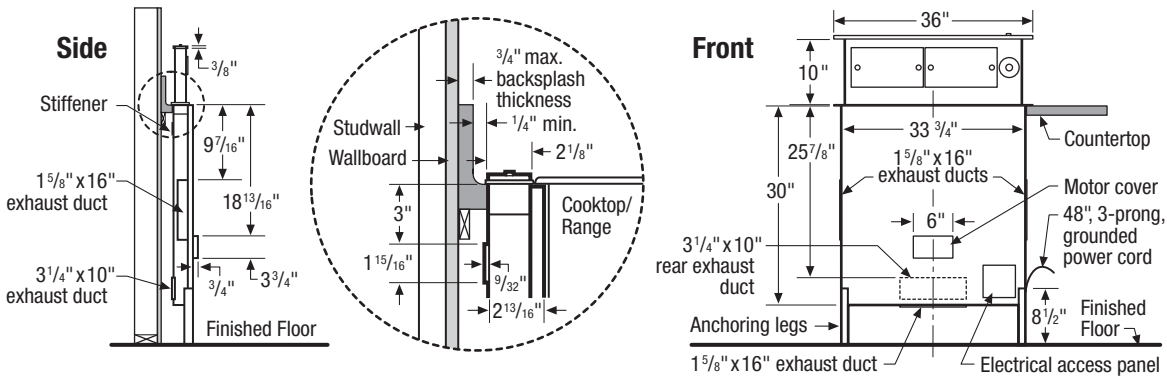
10"-High Intake

When activated, the downdraft vent rises 10" to capture even the most stubborn cooking odors.



Slim Style

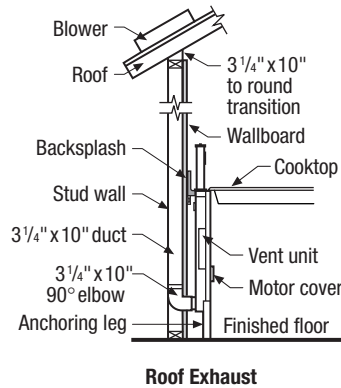
Designed to work in perfect harmony with your approved gas or electric cooktop.



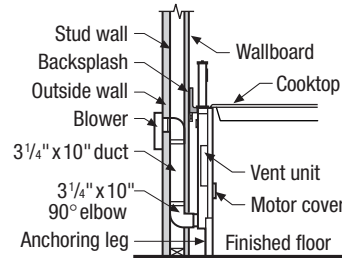
Specifications

For Use With	Duct Size
36" Cooktops	3 1/4" x 10"

Against-Wall Downdraft Installations



Roof Exhaust



Exterior Wall Exhaust

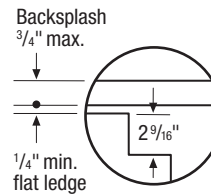
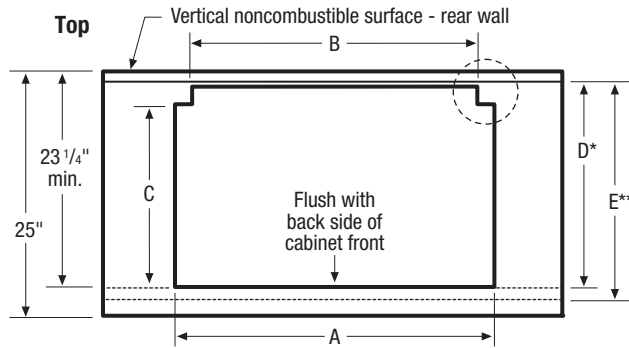
36" Downdraft Vent Specifications

- Voltage Rating – 120V/ 60Hz/ 15 Amps
- Connected Load (kW Rating) @ 120 Volts = 1.0kW
(For use on adequately wired 120V, dedicated circuit having 2-wire service with a separate ground wire. Appliance must be grounded for safe operation.)
- Amps @ 120 Volts = 8.0 Amps
- Do not use same circuit as cooktop.
- Always consult local and national electric codes. Check local building codes for installation requirements, as they may vary per locale.
- 1,600 CFM remote exhaust blower (PN# 5304444802) included with vent – shipped in separate box.
- Vent must be installed in vertical orientation only.
- Vent unit outside of building only.
- Exhaust Duct Required – 3-1/4"x10" (3-1/4"x10" to round transition duct will be needed)
- Do not use flexible duct. Round duct instead of rectangular duct recommended, especially when elbows are required.
- When multiple elbows are necessary, ensure a minimum of 24" of straight duct between any two elbows.
- Thermal breaks such as short section of nonmetallic duct, should be used in areas of extreme cold.

- For most efficient airflow exhaust, use a straight run or as few elbows as possible.
- Cold weather installations should have additional backdraft damper installed.
- Installing a Downdraft Vent in combination with any gas cooking surface will affect optimum burner efficiency.
- Downdraft Vents can NOT be used in combination with any cooktop backsplash.
- Downdraft Vent model E36DD75ESS is approved to be used in combination with Electrolux ICON® Drop-In Cooktop models E36EC65ESS, E36EC70FSS, E36IC75FSS, E36IC80ISS, E36GC70FSS, E36GC65ESS; and Electrolux ICON® Slide-In Cooktop models E36EC75DSS, E36EC75ESS, E36EC75HSS, E36GC75DSS, E36GC75ESS, E36GC75GSS, E36GC76EPS and E36GC76GPS.
(For detailed countertop preparation, refer to Drop-In and Slide-In Cooktop/Downdraft Vent Countertop Preparation pages on web.)
- Proper combination installation of Electrolux ICON® Downdraft Vent model E36DD75ESS and approved 36" Gas Slide-In Cooktop will require cooktop power cord to be relocated to underside of unit. (For details, refer to 30" & 36" Gas Slide-In Cooktop Power Cord Relocation Instructions on web.)

Note: For planning purposes only. Refer to Product Installation Guide on the web at electroluxicon.com for detailed instructions.

Countertop Preparation for 30" & 36" Drop-In Cooktop/Downdraft Vent Installation



For detailed cooktop and downdraft vent installation specifications, refer to model-specific product page and installation guide on web

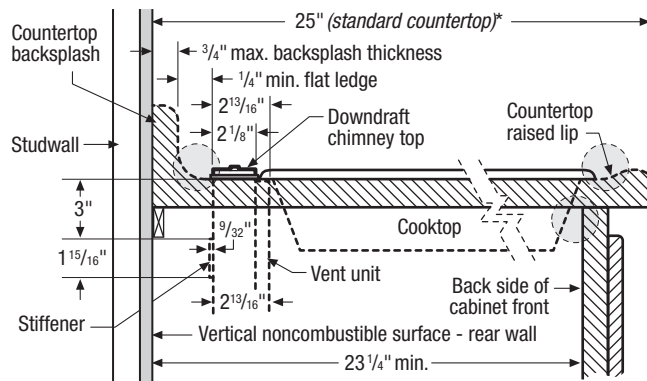
* Overall flat ledge behind backside of cabinet front
** Minimum flat surface required to fit top surface of cooktop and downdraft vent cap

E30DD75ESS/30" Cooktop Cutout Dimensions

30" Cooktops	A	B	C	D	E
E30EC65ESS	30"	27 3/4"	20 3/8"	23 3/16"	24 3/16"
E30EC70FSS	30"	27 3/4"	20 1/4"	23 1/16"	24 1/16"
E30GC64ESS	27 1/2"	27 3/4"	19 7/8"	22 11/16"	23 11/16"
E30GC70FSS	28 1/2"	27 3/4"	19 3/4"	22 9/16"	23 9/16"
E30IC80ISS	29 3/4"	27 3/4"	20 1/2"	23 3/16"	24 5/16"

E36DD75ESS/36" Cooktop Cutout Dimensions

36" Cooktops	A	B	C	D	E
E36EC65ESS	36"	33 3/4"	20 3/8"	23 3/16"	24 3/16"
E36EC70FSS	36"	33 3/4"	20 1/2"	23 5/16"	24 5/16"
E36GC65ESS	33 3/4"	33 3/4"	19 7/8"	22 11/16"	23 11/16"
E36GC70FSS	34 1/2"	33 3/4"	19 3/4"	22 9/16"	23 9/16"
E36IC80ISS	36"	33 3/4"	20 1/2"	23 3/16"	24 5/16"



Cooktop Installation Note:

To ensure proper installation, refer to model-specific installation guide on web for cooktop dimensions, cutout dimensions and cabinet requirements. Due to varying cooktop depths, tight fit is possible between cooktop and vent.

Countertop Preparation Note:

Be aware of areas of potential interference called out in illustration. Countertop with raised lip and/or backsplash may not allow enough flat area for proper installation, 2-13/16" of flat countertop required behind cooktop. No gap required between back of cooktop and front of downdraft trim piece.

*Standard 25" countertop depth may NOT be adequate for some cooktop/vent installations, especially with backsplash.

Drop-In Cooktop/Downdraft Vent Countertop Preparation Specifications

- For detailed Drop-In Cooktop installation, refer to model-specific product page and installation guide on web. Plan installation so that all required minimum clearances between cooktop, overhead cabinets and adjacent vertical walls are provided.
- Position cooktop/vent cutout so all required minimum clearances are met.
- Minimum flat countertop area must meet or exceed combined overall width and depth as shown. Standard 25" countertop depth may NOT be adequate for some cooktop/vent installations, especially with backsplash.
- Separate circuits required for cooktop and vent. (Refer to product-specific electrical specifications.)
- Always consult local and national electric and gas codes. Check local building codes for installation requirements, as they may vary per locale.

Downdraft Vent Specifications

- For detailed Downdraft Vent installations, refer to model-specific product page and installation guide on web.
- Voltage Rating – 120V/ 60Hz/ 15 Amps
- Connected Load (kW Rating) @ 120 Volts = 1.0kW (For use on adequately wired 120V, dedicated circuit having 2-wire service with a separate ground wire. Appliance must be grounded for safe operation.)

- Amps @ 120 Volts = 8.0 Amps
- Vent unit outside of building only.
- Vent must be installed in vertical orientation only.
- 1,600 CFM remote exhaust blower (PN# 5304444802) included with vent – shipped in separate box.
- Do not use flexible duct. Round duct instead of rectangular duct recommended, especially when elbows are required.
- When multiple elbows are necessary, ensure a minimum of 24" of straight duct between any two elbows.
- Thermal breaks such as short section of nonmetallic duct, should be used in areas of extreme cold.
- For most efficient airflow exhaust, use a straight run or as few elbows as possible.
- Cold weather installations should have additional backdraft damper installed.
- Installing a Downdraft Vent in combination with any gas cooking surface will affect optimum burner efficiency.

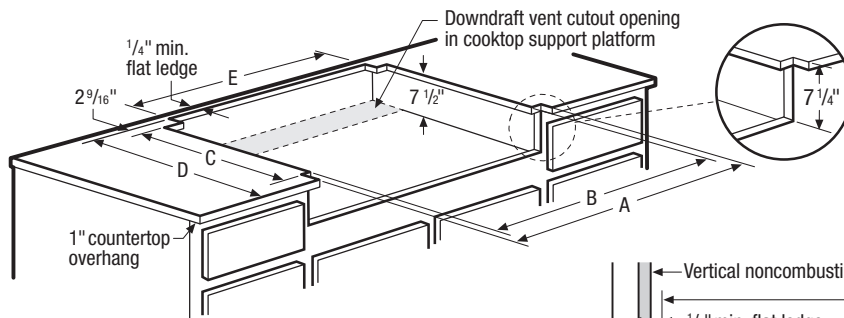
Note: For planning purposes only. Refer to Product Installation Guide on the web at electroluxicon.com for detailed instructions.

Electrolux Major Appliances, N.A.

USA • 250 Bobby Jones Expressway • Augusta, GA 30907 • 1-877-4electrolux (1-877-435-3287) • electroluxicon.com
CANADA • 5855 Terry Fox Way • Mississauga, ON L5V 3E4 • 1-800-265-8352 • electroluxicon.ca

High standards of quality at Electrolux Home Products, Inc. mean we are constantly working to improve our products. We reserve the right to change specifications or discontinue models without notice.

Countertop Preparation for 30" & 36" Slide-In Cooktop/Downdraft Vent Installation



For detailed cooktop and downdraft vent installation specifications, refer to model-specific product page and installation guide on web

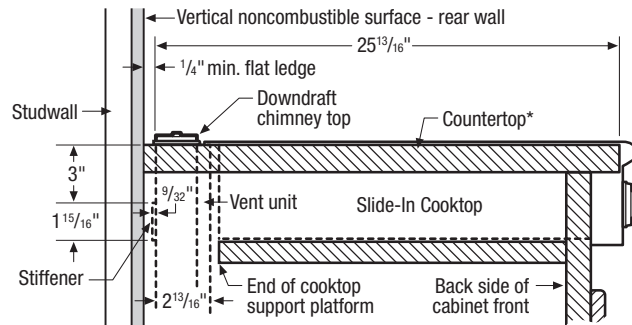
E30DD75ESS/30" Cooktop Cutout Dimensions

30" Cooktop	A	B	C	D	E
E30GC74GPS*	29 ¹⁵ / ₁₆ "	29 ³ / ₁₆ "	22"	25 ¹³ / ₁₆ "	27 ³ / ₄ "

E36DD75ESS/36" Cooktop Cutout Dimensions

36" Cooktops	A	B	C	D	E
E36EC75DSS	35 ¹⁵ / ₁₆ "	35 ³ / ₁₆ "	22"	25 ¹³ / ₁₆ "	33 ³ / ₄ "
E36EC75ESS	35 ¹⁵ / ₁₆ "	35 ³ / ₁₆ "	22"	25 ¹³ / ₁₆ "	33 ³ / ₄ "
E36EC75HSS	35 ¹⁵ / ₁₆ "	35 ³ / ₁₆ "	22"	25 ¹³ / ₁₆ "	33 ³ / ₄ "
E36GC75DSS*	35 ¹⁵ / ₁₆ "	35 ³ / ₁₆ "	22"	25 ¹³ / ₁₆ "	33 ³ / ₄ "
E36GC75ESS*	35 ¹⁵ / ₁₆ "	35 ³ / ₁₆ "	22"	25 ¹³ / ₁₆ "	33 ³ / ₄ "
E36GC75GSS*	35 ¹⁵ / ₁₆ "	35 ³ / ₁₆ "	22"	25 ¹³ / ₁₆ "	33 ³ / ₄ "
E36GC76EPS*	35 ¹⁵ / ₁₆ "	35 ³ / ₁₆ "	22"	25 ¹³ / ₁₆ "	33 ³ / ₄ "
E36GC76GPS*	35 ¹⁵ / ₁₆ "	35 ³ / ₁₆ "	22"	25 ¹³ / ₁₆ "	33 ³ / ₄ "

*Proper combination installation will require cooktop power cord to be relocated to underside of unit. (For details, refer to 30" & 36" Gas Slide-In Cooktop Power Cord Relocation Instructions page.)



Cooktop Installation Note:

To ensure proper installation, refer to model-specific installation guide on web for cooktop dimensions, cutout dimensions and cabinet requirements.

Countertop Preparation Note:

Countertop with backsplash may not allow enough flat area for proper installation, 2-13/16" of flat countertop required behind cooktop. No gap required between back of cooktop and front of downdraft trim piece.

*Standard 25" countertop depth is NOT adequate for slide-in cooktop/vent installations.

Slide-In Cooktop/Downdraft Vent Countertop Preparation Specifications

- For detailed Slide-In Cooktop installation, refer to model-specific product page and installation guide on web. Plan installation so that all required minimum clearances between cooktop, overhead cabinets and adjacent vertical walls are provided.
- Position cooktop/vent cutout so all required minimum clearances are met.
- Minimum flat countertop area must meet or exceed combined overall width and depth as shown. Standard 25" countertop depth is NOT adequate for slide-in cooktop/vent installations.
- Separate circuits required for cooktop and vent. (Refer to product-specific electrical specifications.)
- Always consult local and national electric and gas codes. Check local building codes for installation requirements, as they may vary per locale.
- Proper combination installation will require 30" & 36" Gas Slide-In Cooktop power cord to be relocated to underside of unit. (For details, refer to 30" & 36" Gas Slide-In Cooktop Power Cord Relocation Instructions on web.)

Downdraft Vent Specifications

- For detailed Downdraft Vent installations, refer to model-specific product page and installation guide on web.
- Voltage Rating – 120V/ 60Hz/ 15 Amps
- Connected Load (kW Rating) @ 120 Volts = 1.0kW
(For use on adequately wired 120V, dedicated circuit having 2-wire service with a separate ground wire. Appliance must be grounded for safe operation.)

- Amps @ 120 Volts = 8.0 Amps
- Vent unit outside of building only.
- Vent must be installed in vertical orientation only.
- 1,600 CFM remote exhaust blower (PN# 5304444802) included with vent – shipped in separate box.
- Do not use flexible duct. Round duct instead of rectangular duct recommended, especially when elbows are required.
- When multiple elbows are necessary, ensure a minimum of 24" of straight duct between any two elbows.
- Thermal breaks such as short section of nonmetallic duct, should be used in areas of extreme cold.
- For most efficient airflow exhaust, use a straight run or as few elbows as possible.
- Cold weather installations should have additional backdraft damper installed.
- Installing a Downdraft Vent in combination with any gas cooking surface will affect optimum burner efficiency.
- Downdraft Vents can NOT be used in combination with any cooktop backsplash.

Note: For planning purposes only. Refer to Product Installation Guide on the web at electroluxicon.com for detailed instructions.