

Electrolux

Factory Parts Catalog

Product No.	E30EC70FSS1
	38066263760S1
Series	30" elec
Color	stainless
Market	North America
Wiring Diagram	318046817
Owner's Guide	318200635
Installation Instructions	318201432

Electrolux

Electrolux Major Appliances
North & Latin America
P.O. BOX 212378
AUGUSTA, GA 30917

Publication No.
5995475224
06/09/27
(EN/SERVICE/ECL)
377

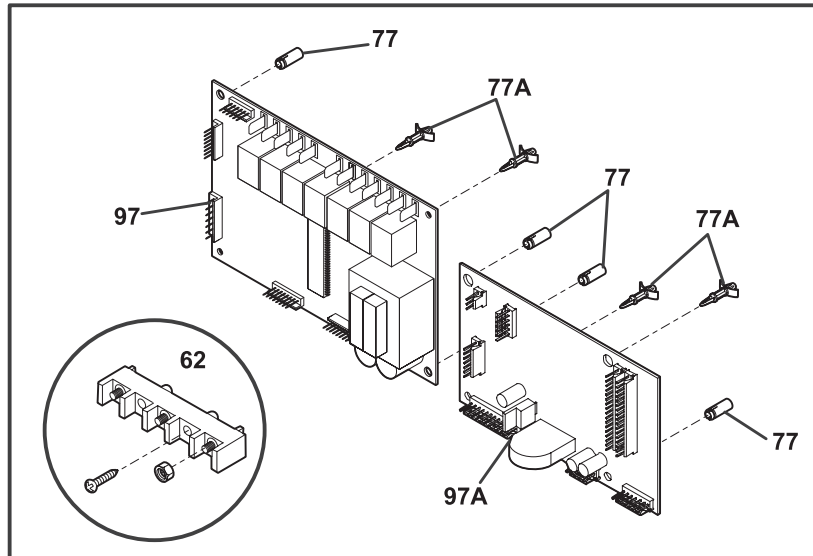
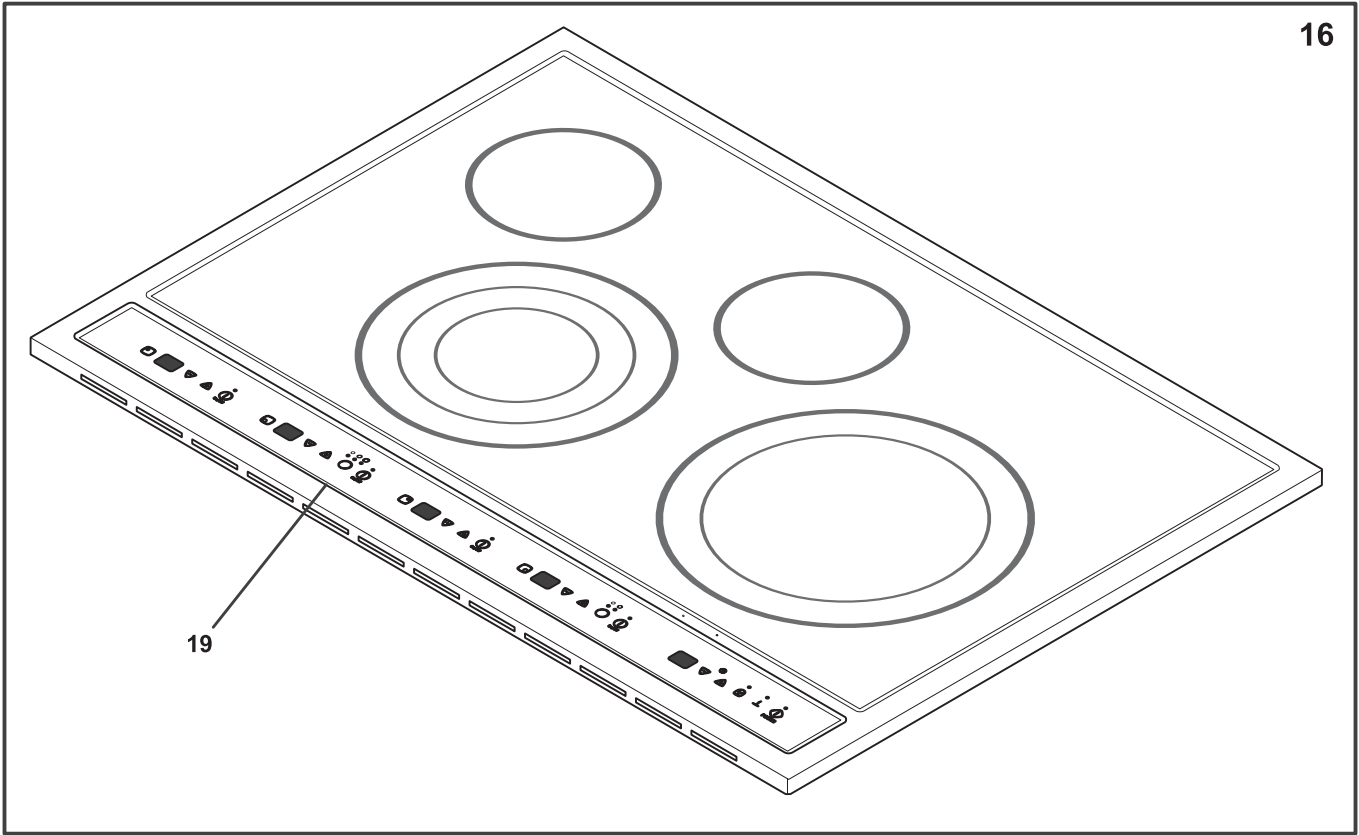
ELECTRIC COOK-TOP RANGE

Model No.
E30EC70F

Copyright © 2006 Electrolux Home Products, Inc.
All rights reserved.

CONTROL PANEL

16

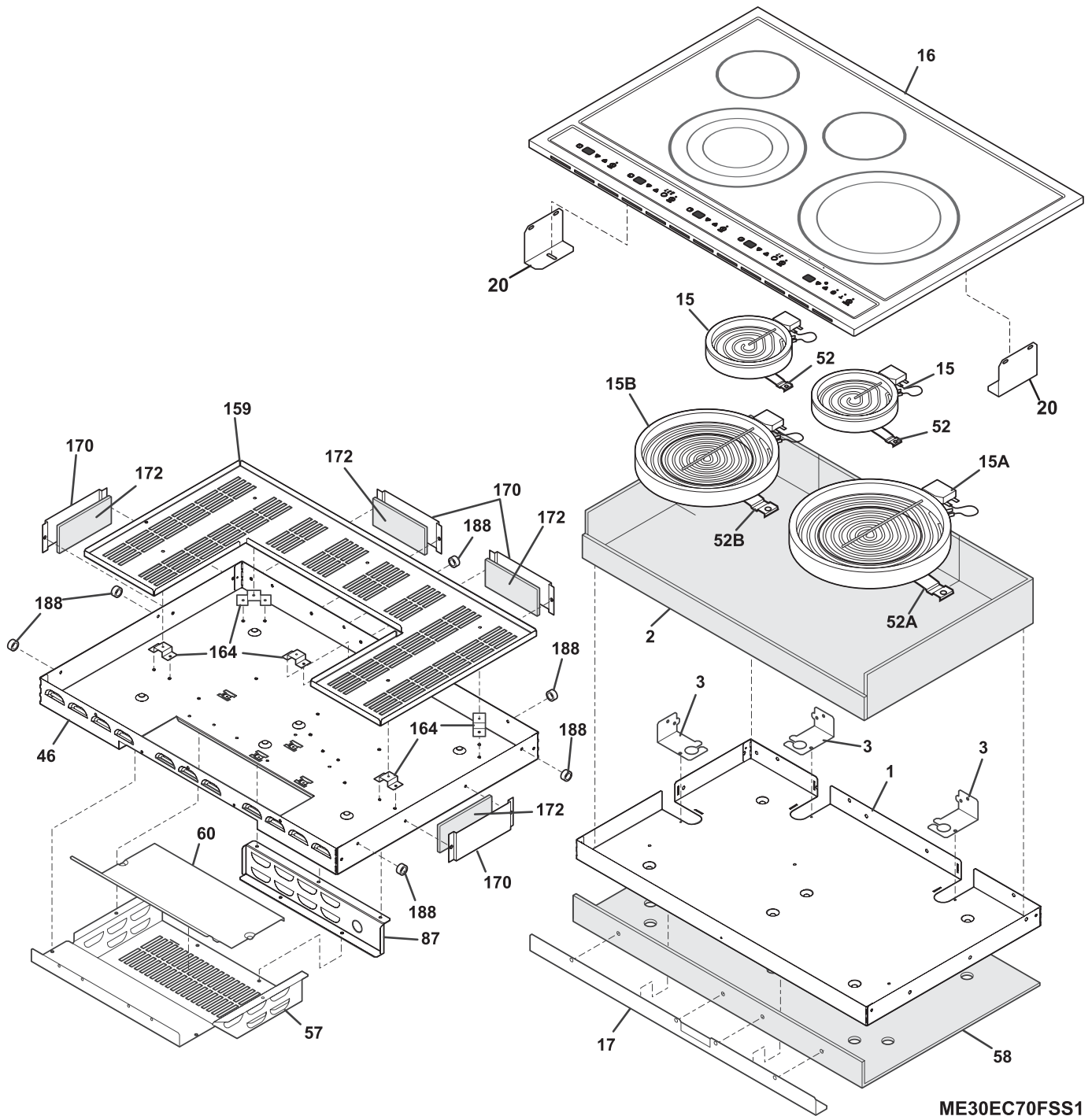


CE30EC70FSS1

CONTROL PANEL

POS. NO	PART NO.	DESCRIPTION
16 #	318282530	Main Top Assy, glass/steel, black/stainless, w/touch control
19 #	318353610	Panel Assembly, glass, w/controls
62 #	316056000	Terminal Block
62*	5303323144	Nut, 10-32
62*	5303323139	Screw, 10-24 x 0.906
77	316247900	Spacer, power board, (4)
77A	316114100	Spacer, (2)
97 #	316442112	Board, power, relay
97A#	316442041	Board, power, UIB
* #	318078558	Box & wires assy
* #	318083051	Harness, wiring, interface
*	5304400192	retainer wire

MAIN TOP/SURFACE UNITS



ME30EC70FSS1

MAIN TOP/SURFACE UNITS

POS. NO	PART NO.	DESCRIPTION
1	318354110	Shield, heat
2	318344530	Insulation, Elements
3	318371400	Cover, deflector
15 #	318198817	Element, surface, 6", 1200 W, (2)
15A#	318198926	Element, surface, 6/9, 1700/2700W, dual radiant
15B#	318297800	Element, surface, triple, 800/900/1000
16 #	318282530	Main Top Assy, glass/steel, black/stainless, w/touch control
17	318371500	Bracket, insulation
20	318121906	Bracket, retainer
*	5303300265	Screw, 8-18 X 1/2, (2)
*	5303323130	Screw, 8 x 1/4, (4)
46	318354010	Box, burner
52	318122006	Spring, element mtg, small
52A	318122011	Spring, element mtg, 1200W/1800W
52B	318122010	Spring, element mtg, 3000W
57	318354300	Box, service
*	5303307980	Screw, 8-32 x 0.437, (4)
58	318371300	Insulation
60	318371600	Deflector, air
87	318354401	Bracket, cable
159	318371700	Deflector, heat
*	5303211311	Screw, 8 x 0.500
164	318252901	Support, box, (6)
*	3131048	Screw, 8 x 5/8, (6)
170	318124913	Screen, thermal, (4)
172	318344521	Insulation, screen, (4)
188	318014110	Spacer, (6)
* #	318199447	Harness, wiring, main
* #	318052533	Ground wire, w/terminal
*	5303323140	Screw, ground, 10-32 x 0.375
*	318163602	Cleaner, stainless steel
*	08016432	Screw, truss head, 8-18 x 0.375
*	5303311306	Screw, 8-18 x 0.375, (8)

WIRING DIAGRAM

