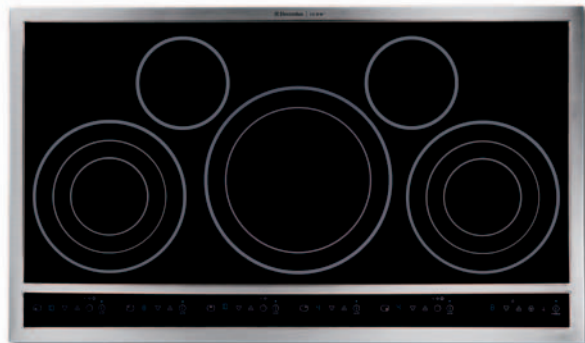


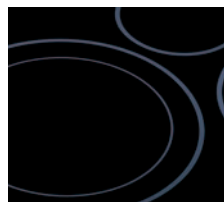
Electric Touch-Control Drop-In Cooktop

E36EC70FSS



5 Element Configuration

One 9"/12" double element (1700W/2700W), two 5"/7"/9" triple elements (1000W/1800W/2700W) and two 6" elements (1200W) are arranged to provide five concentric rings of incomparable choices.



Ceramic Smoothtop Glass

Glass cooktop is flat, smooth and easy to clean and maintain.



Custom-Set™ Touch-Controls

The smooth cooktop surface is undisturbed with knobs for a look that is sleek and flush with your countertop.



Hot Surface Indicator

For added safety, when an element is still hot, a blue LED indicator will stay on until surface cools.

36" ELECTRIC TOUCH-CONTROL DROP-IN COOKTOP

Configuration 5 Electric Elements

FEATURES

Black Ceramic Smoothtop Glass Surface	Yes
6" Element – 1200W	2
5" to 7" to 9" Element – 1000W/1800W/2700W	2
9" to 12" Dual Element – 1700W/2700W	1
Custom-Set™ Electronic Controls	Yes

ACCESSORIES

Granite Countertop Installation Kit – PN# 903061-9010	Optional
---	----------

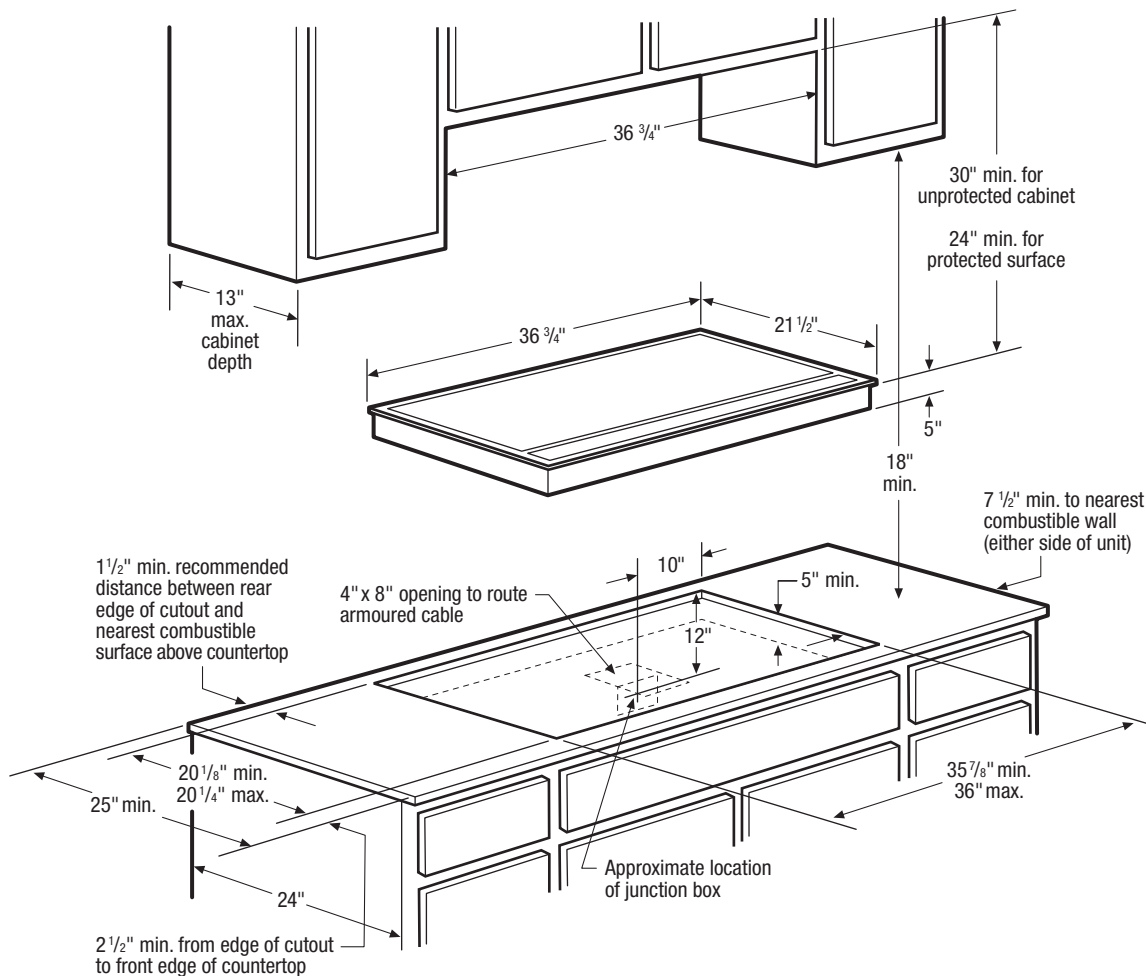
SPECIFICATIONS

Overall Exterior Dimensions –	
Height	5"
Width	36-3/4"
Depth	21-1/2"
Power Supply Location	Middle
Amps @ 240/208 Volts	44.0/38.0
Connected Load (kW Rating) @ 240/208 Volts	10.5/7.9
Electrical – Single phase 3- or 4-wire cable, 120/240V or 120/208V, 60Hz, fused on both sides of line with ground.	Required
Armored Electrical Cable	Included
Approved for Single Oven Combination Installation*	Yes
Approved for Downdraft Vent Combination Installation*	Yes
Shipping Weight (Approx.)	56 Lbs.

*Approved to be used over any Electrolux ICON® Single Wall Oven and in combination with an Electrolux ICON® Downdraft Vent.

NOTE: Always consult local and/or national electric codes. Refer to Product Installation Guide for detailed installation instructions on the web at electroluxicon.com.

Specifications subject to change.



36" Electric Touch-Control Drop-In Cooktop Specifications

- Product Weight – 50 Lbs.
- Single phase 3- or 4-wire cable, 120/240 or 120/208 Volt, 60 Hertz AC only electrical supply with ground required on separate circuit fused on both sides of line.
- Connected Load (kW Rating) @ 240/208 Volts = 10.5/7.9kW
- Amps @ 240/208 Volts = 44.0/38.0 Amps
- Recommended Circuit Breaker – 50 Amps
- Always consult local and/or national electric codes.
- Allow 2" space below armored cable opening to clear electrical cable and allow space for installation of junction box on wall at back of cooktop.
- Overhead cabinetry should not exceed a 13" maximum depth.
- Allow 30" minimum clearance between top of cooktop and bottom of unprotected wood or metal overhead cabinetry.
- Absolute minimum horizontal distance between overhead cabinets installed to either side of appliance must be no less than maximum width of appliance.
- Allow 24" minimum clearance when bottom of wood or metal overhead cabinet is protected by not less than 1/8" flame-retardant millboard covered with not less than No. 28 MGS sheet steel, 0.015" stainless steel, 0.024" aluminum or 0.020" copper.
- Allow 1-1/2" minimum clearance between rear edge of cutout and nearest combustible surface above countertop.
- Allow 7-1/2" minimum clearance from edge of cooktop to nearest combustible wall on either side of unit.
- It is recommended that drawers not be used beneath cooktop.
- To reduce risk of fire when using overhead cabinetry, install vent hood that projects horizontally a recommended minimum of 5" beyond bottom of cabinets.
- Touch-Control Drop-In Cooktop model E36EC70FSS is approved to be used over any Electrolux ICON® Single Wall Oven. (Refer to *Electric Cooktop Installation Over 30" Electric Single Wall Oven Specifications page on web.*)
- Touch-Control Drop-In Cooktop model E36EC70FSS is approved to be used in combination with an Electrolux ICON® 36" Downdraft Vent. (Refer to *Drop-In Cooktop/Downdraft Vent Countertop Preparation page on web for detailed installation specifications.*)

Note: For planning purposes only. Refer to Product Installation Guide on the web at electroluxicon.com for detailed instructions.

Optional Accessories

- Granite Countertop Installation Kit – (PN# 903061-9010).

Electrolux Major Appliances, N.A.

USA • 250 Bobby Jones Expressway • Augusta, GA 30907 • 1-877-4electrolux (1-877-435-3287) • electroluxicon.com
 CANADA • 5855 Terry Fox Way • Mississauga, ON L5V 3E4 • 1-800-265-8352 • electroluxicon.ca

