



Electrolux

Factory Parts Catalog

Product No.	EDW5505EPS	EDW5505ESS
Series	24" Built-in	24" Built-in
Color	stainless	stainless
Wiring Diagram	15003747	15003747
Owner's Guide	6919940	6919940
Energy Guide	5304452622	5304452622
Installation Instructions	6919941	6919941
Market	North America	North America

Electrolux

Electrolux Major Appliances
North & Latin America
P.O. BOX 212378
AUGUSTA, GA 30917

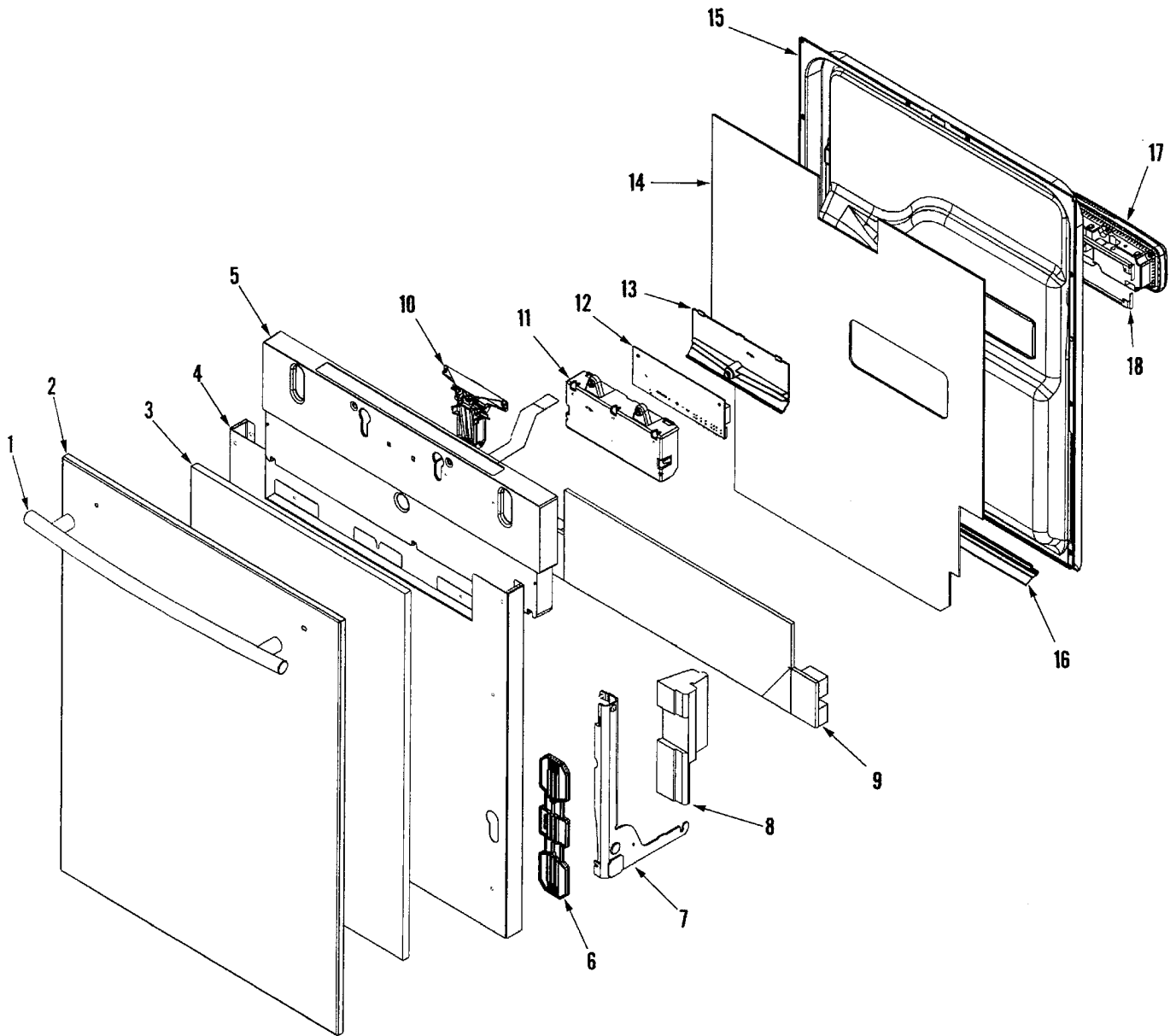
Publication No.
5995452850
05/10/31
(EN/SERVICE/ECL)
821

24-INCH BUILT-IN DISHWASHER

Model No.
EDW5505E

Copyright © 2005 Electrolux Home Products, Inc.
All rights reserved.

CONTROL PANEL & DOOR



CONTROL PANEL & DOOR

Model Index: A EDW5505E (EDW5505EPS)
B EDW5505E (EDW5505ESS)

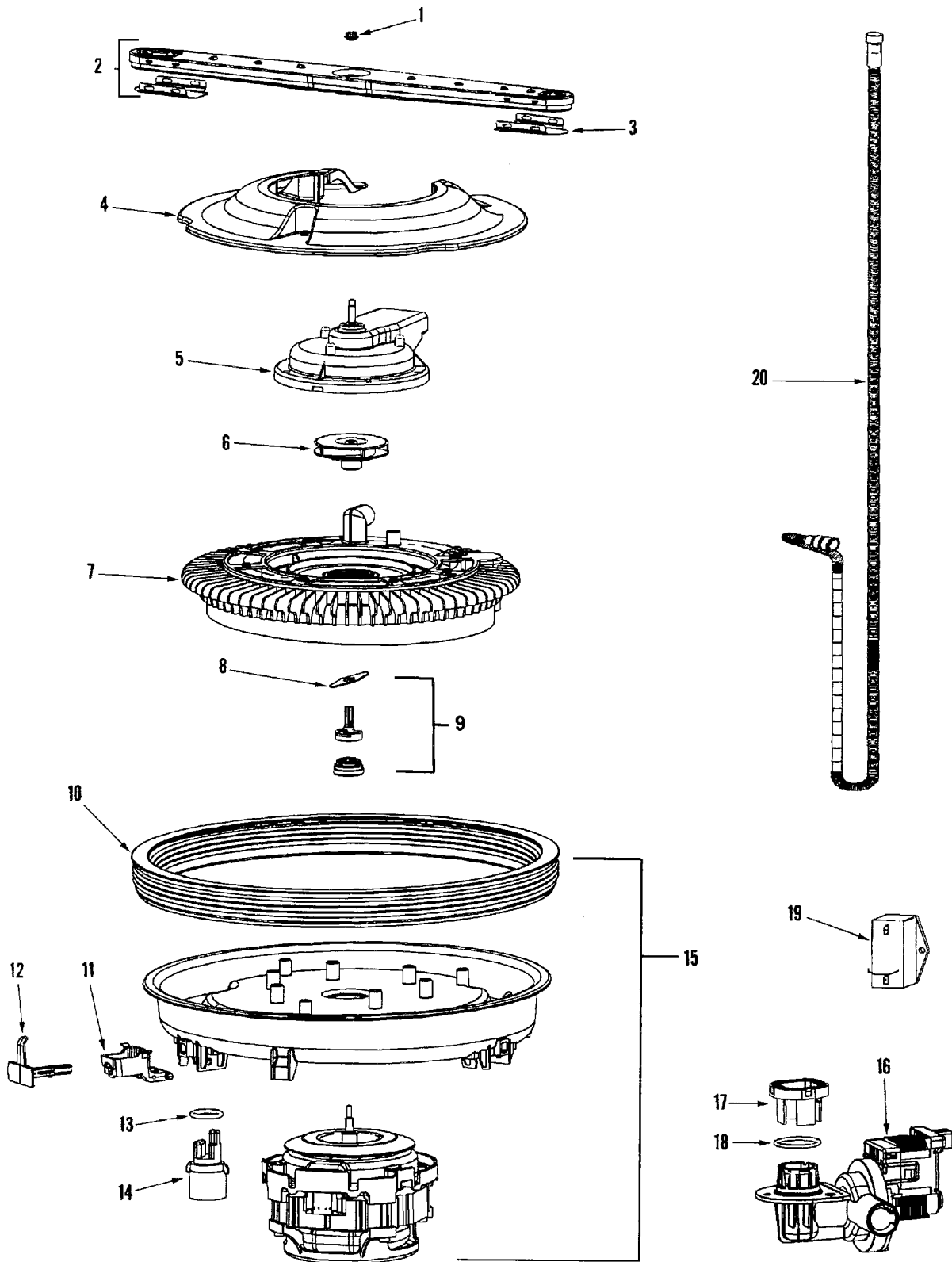
POS. NO	PART NO.		DESCRIPTION
1	5304452496	A -	Bar, towel, stainless
1	5304452497	- B	Bar, towel, stainless
1*	5304452498	A B	Stud, towel bar, (2)
1*	5304452499	A B	Plate, towel bar, back, (2)
1*	5304452500	A B	Screw, towel bar, (2)
2	5304452065	A -	Panel, door, stainless(order 5304452510 as well)
2*	5304452501	A -	Nameplate, door
2	5304452067	- B	Panel, door, stainless
3	5304452502	A B	Pad, foam
4	5304452503	A B	Support, inner door, black
4*	5304452504	A B	Damper, 6" x 18"
5	5304452068	A B	Panel, control, black
6	5304452505	A B	Anchor, panel fastener, (2)
6*	5304452506	A B	Fastener, panel, (4)
7	5304452507	A B	Bracket, hinge, LH(order 5304452510 as well)
7	5304452508	A B	Bracket, hinge, RH(order 5304452510 as well)
7*	5304452509	A B	Screw, hinge bracket, (4)
7*	5304452510	A B	Wrap, foam, (2)
8	5304452511	A B	Block, foam, RH
8	5304452512	A B	Block, foam, LH
9	5304452513	A B	Barrier, foam
10	5304452062	A B	Latch Assembly
10*#	5304452043	A B	Switch, door, (2)
11	5304452514	A B	Housing, control board, base
12 #	5304452066	A B	Board, control
13	5304452515	A B	Housing, control board, top
14	5304452516	A B	Insulation, door
15	5304452053	A B	Liner, door, w/damper
15*	5304452517	A B	Screw, door liner, (8)
16	5304452049	A B	Seal, door, bottom
17	5304452518	A B	Dispenser, detergent, w/rinse aid
18	5304452519	A B	Bracket, dispenser, (2)
*	5304452622	A B	Energy Guide
*	5304452520	A B	Screw, mounting, (12)(for 5, 11, 13 & 18)

TUB

Model Index: A EDW5505E (EDW5505EPS)
B EDW5505E (EDW5505ESS)

POS. NO	PART NO.		DESCRIPTION
1	5304452521	A B	Bracket, water valve
2 #	5304452045	A B	Valve, water
2*	5304452522	A B	Screw, water valve, (2)
3	5304452523	A B	Clamp, SPRING
4	5304452524	A B	Hose, injector
5	5304452525	A B	Inlet, air/water
6	5304452526	A B	Seal, inlet
7	5304452527	A B	Grill, inlet
8	5304452528	A B	Bracket, support, LH
9	5304452529	A B	Trim, edge, LH, lower corner
9	5304452530	A B	Trim, edge, RH, lower corner
10	5304452060	A B	Seal, door
11	5304452531	A B	Bracket, mounting, (2), cabinet
12	5304452532	A B	Support, front, black, w/sound box
12*	5304452533	A B	Seal, sound tray, black
13	5304452534	A B	Insulation, tub
13*	5304452535	A B	Fastener, insulation, (2)
14	5304452536	A B	Bracket, adjustment, (2), door spring
15	5304452052	A B	Spring, door, (2)
16	5304452064	A B	Cable Assembly, door, (2)
17	5304452537	A B	Panel, toe plate, black, w/damper
17*	5304452538	A B	Seal, sound, black, toe plate
17*	5304452539	A B	Bracket, support, rear
18	5304452540	A B	Bracket, cable, (2)
19	5304452541	A B	Bolt, shoulder, (2), cable bracket
20	5304452542	A B	Roller, cable bracket, (2)
21	5304452543	A B	Leg, leveling, (4)
22	5304452544	A B	Support, hinge, RH
22	5304452545	A B	Support, hinge, LH
23	5304452546	A B	Bracket, hinge seal, RH
23	5304452547	A B	Bracket, hinge seal, LH
24	5304452548	A B	Bracket, support, junction box
25	5304452549	A B	Cover, junction box
25*	5304452550	A B	Screw, cover
26	5304452551	A B	Cover, float switch
27 #	5304452030	A B	Switch, float
28	5304452046	A B	Holder, float switch
29	5304452048	A B	Seal, standpipe
30	5304452047	A B	Standpipe, float
31	5304452051	A B	Float, gray
32 #	5304452032	A B	Thermostat, limiting
33	5304452552	A B	Clip, thermostat
34	5304452553	A B	Trim, tub edge, bottom
35 #	5304452044	A B	Heater, w/gasket
35*	5304452554	A B	Gasket, heater
36	5304452555	A B	Nut, heater, (2)
37	5304452556	A B	Strip, trim, LH
38	5304452557	A B	Strip, trim, top
39	5304452558	A B	Strip, trim, RH
40	5304452559	A B	Seal, gap, black, toe plate
*	5304452560	A B	Screw, mounting, (4)(for 12 & 17)
*	5304452561	A B	Screw, mounting(for 1, 8, 14, 18, 22 & 24)
*	5304452562	A B	Screw, mounting, (8)(for 37 & 39)

MOTOR & PUMP

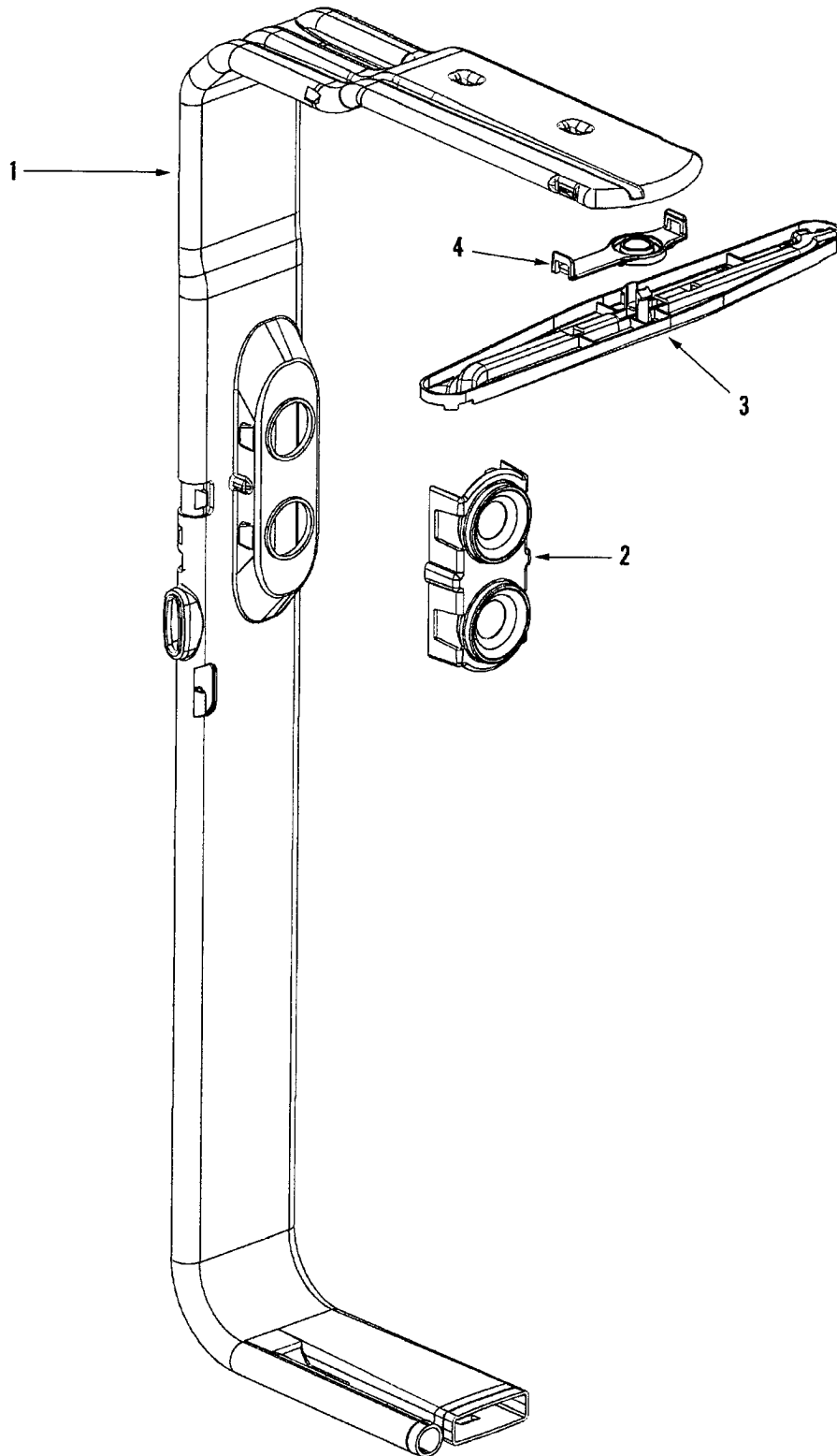


MOTOR & PUMP

Model Index: A EDW5505E (EDW5505EPS)
B EDW5505E (EDW5505ESS)

POS. NO	PART NO.		DESCRIPTION
1	5304452563	A B	Cap, wash arm, gray
2	5304452564	A B	Wash Arm, lower, w/shields
3	5304452565	A B	Shield, radiant, (2)
4	5304452566	A B	Guard, filter, gray
4*	5304452567	A B	Screw, filter guard, (3)
5	5304452568	A B	Housing Assembly, discharge, upper
5*	5304452569	A B	Screw, housing, (6)
6	5304452037	A B	Impeller Assembly, wash
6*	5304452570	A B	Screw, impeller assy
7	5304452571	A B	Filter Assembly, flowplate
7*	5304452572	A B	Screw, filter assy, (3)
8	5304452573	A B	Chopper
9	5304452061	A B	Seal kit, sleeve, metal chopper
10	5304452574	A B	Gasket, motor mount
11	5304452575	A B	Lever, motor mount, (3)
12	5304452576	A B	Plunger, motor mount, (3)
13	5304452577	A B	O-ring, sensor, turbidity
14 #	5304452034	A B	Sensor, turbidity
14*	5304452578	A B	Screw, sensor, (2), turbidity
15 #	5304452063	A B	Motor assembly, wash
16 #	5304452054	A B	Pump Assembly, drain
16*	5304452579	A B	Screw, drain pump, (3)
16*	5304452580	A B	Flapper, valve, drain pump
17	5304452581	A B	Flapper, inlet, drain pump
18	5304452582	A B	O-ring, drain pump
19 #	5304452583	A B	Capacitor, wash motor
19*	5304452561	A B	Screw, mounting
19*	5304452584	A B	Shield, capacitor
20	5304452036	A B	Hose, drain
20*	5304452585	A B	Clamp, drain hose, 1 - 3/8"
* #	5304452586	A B	Harness, wiring, main

WATER DISTRIBUTION ASSEMBLY

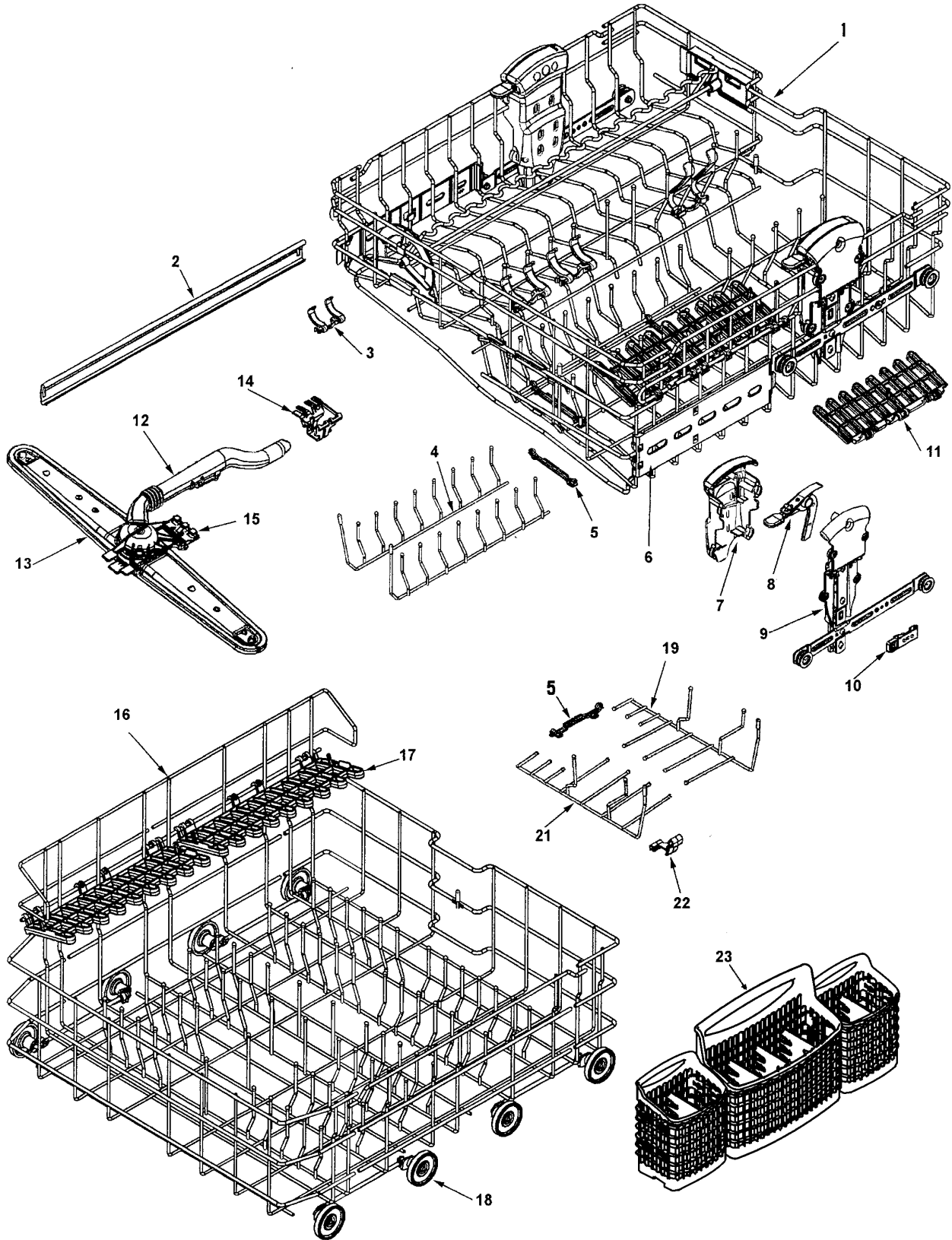


WATER DISTRIBUTION ASSEMBLY

Model Index: A EDW5505E (EDW5505EPS)
B EDW5505E (EDW5505ESS)

POS. NO	PART NO.		DESCRIPTION
1	5304452587	A B	Manifold, main
2	5304452588	A B	Station, docking, w/flappers
3	5304452042	A B	Wash Arm, top, w/retainer
4	5304452589	A B	Retainer, wash arm, top

RACKS



RACKS

Model Index: A EDW5505E (EDW5505EPS)
 B EDW5505E (EDW5505ESS)

POS. NO	PART NO.		DESCRIPTION
1	5304452590	A B	Rack Assembly, upper
1*	5304452591	A B	Handle, upper rack, back
1*	5304452592	A B	Handle, upper rack, front
2	5304452593	A B	Rail, slide, inner, (2)
2*	5304452050	A B	Cage, ball bearing, (2)
2*	5304452058	A B	Stop, rail, gray, (4)
2*	5304452594	A B	Bearing, ball, (8)
3	5304452595	A B	Clip, cup, (2)
4	5304452596	A B	Tine, fold away, silver, (2)
5	5304452597	A B	Pivot, tine, (3)
6	5304452598	A B	Guard, upper rack, high side
6	5304452599	A B	Guard, upper rack, low side
7	5304452600	A B	Cover, adjuster, upper rack, (2)
8	5304452601	A B	Lever, adjuster, upper rack, (2)
9	5304452056	A B	Rack Adjuster, assembly, LH
9	5304452057	A B	Rack Adjuster, assembly, RH
9*	5304452602	A B	Screw, 8 - 18 x 1/2, (11)
10	5304452603	A B	Stabilizer, rack adjuster
11	5304452604	A B	Shelf, cup, upper rack
12	5304452605	A B	Wash Arm, upper, gray
13	5304452606	A B	Manifold Assembly, wash, upper
14	5304452607	A B	Clip, manifold assy, back
15	5304452608	A B	Clip, manifold assy, front
16	5304452609	A B	Rack Assembly, lower
17	5304452610	A B	Shelf, cup, gray, lower rack, (2)
18	5304452055	A B	Wheel Assembly, lower rack, (8)
19	5304452611	A B	Tine, folding, long, lower, (4)
21	5304452612	A B	Tine, folding, short, lower, (2)
22	5304452613	A B	Clip, folding tine, gray, (18)
23	5304452614	A B	Basket, silverware
*	5304452615	A B	Cap, rack, gray, upper and lower, (2)