

Built-In Dishwasher

EDW5505ESS designer series



Shown with custom panel and handle installed (not included).



UltraQuiet Plus™ Sound Insulation Package

The dishwasher is wrapped in dense insulation that envelops the sides, top and toe kick, then enclosed in a steel shroud which reduces sound to a whisper.



Flexible Interior

Designed for maximum capacity and flexibility, the tall-tub design incorporates adjustable tines, stemware holders and cup clips. The upper rack is adjustable up or down or can be removed when washing large platters.



Stainless Steel Interior and Exterior

Smooth exterior sheen gives your kitchen a modern, polished look and the interior will retain its original luster.



Fully Integrated Control Panel

Control panel is located at the top of the dishwasher door, so that the exterior remains uncluttered when the door is closed. Controls and digital display are intuitive and easy to operate.

BUILT-IN DISHWASHER

ENERGY STAR®	Yes
--------------	-----

FEATURES

Stainless Steel Interior	Yes
Fully Integrated Control Panel	Yes
Easy-Clean Pushbuttons	12
LED Indicator Lights	Yes
Tall Tub Design	Yes
Smart Soil Sensor™	Yes
UltraQuiet Plus™ Sound Insulation Package	Yes
Wash Levels	5
Direct Feed Wash System	Yes
Detergent Dispenser	Yes
Adjustable Rinse Aid Dispenser with Indicator	Yes
Panel Ready*	Yes

CYCLES

Rinse Only	Yes
Favorite	Yes
Auto Wash	Yes
Heavy	Yes
Normal	Yes
Short/Light	Yes
China/Crystal	Yes

OPTIONS

Hi-Temp Wash	Yes
NSF® Certified Sanitize Option	Yes
Delay Start	2, 4, 6 Hours

RACK SYSTEM

Rack Type	Nylon
Splittable Silverware Basket with Three Small Items Covers	Yes
Utensil Basket	Yes
Upper Rack – Adjustable	Premium Yes
Cup Clips	4
Stemware Holder	2
Fold-Down Tines	2 Rows
Lower Rack – Adjustable Tines	Premium 6 Rows
High Side Shelf	Yes

SPECIFICATIONS

Overall Exterior Dimensions –	
Height (Adjustable)	33-1/2" – 35-1/4"
Width	23-7/8"
Depth (Including Door) (with 90° Door Open)	25-1/8" 51-1/2"
Power Supply/Water Inlet Location	Middle Bottom Rear
Leveling Legs	Yes
Water Usage (Gallons) – Normal Cycle	4 – 8
Water Pressure (PSI)	15 – 120
Voltage Rating	120V/60Hz/15A
Connected Load (kW Rating) @ 120 Volts†	1.1
Amps @ 120 Volts	9
Electrical‡ – Single phase, 2-wire with separate equipment grounding conductor. 60 Hertz AC electrical supply only.	UL Listed
Product Weight	82 Lbs.
Shipping Weight (Approx.)	92 Lbs.

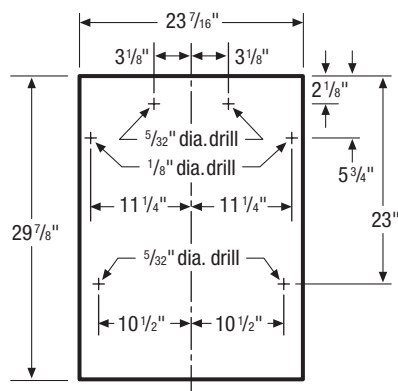
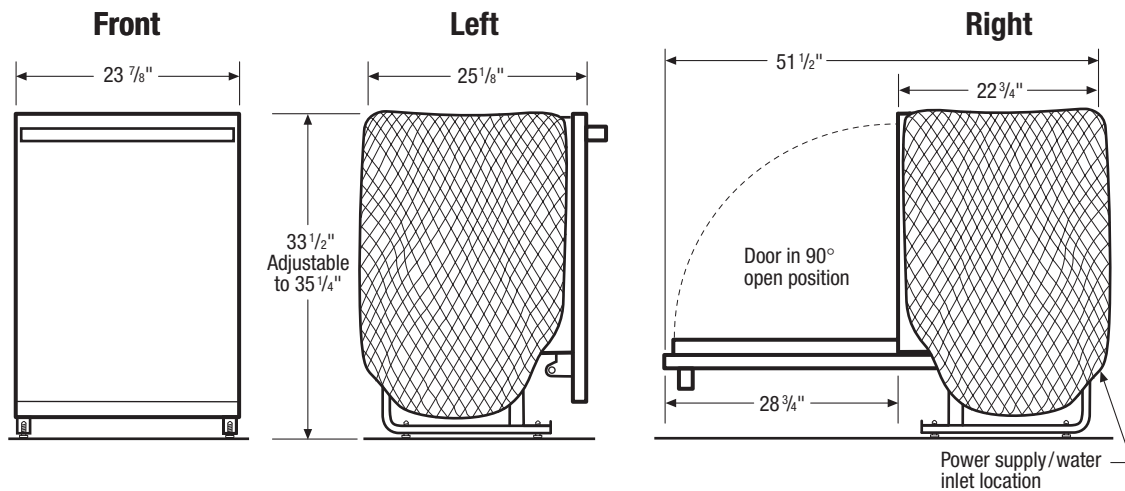
* Dishwashers are designed to accept custom front panel. Refer to web for detailed panel construction and installation instructions.

† For use on adequately wired 120V, dedicated circuit having 2-wire service with a separate ground wire. Appliance must be grounded for safe operation.

‡ Separate dedicated 3-wire grounded circuit required.

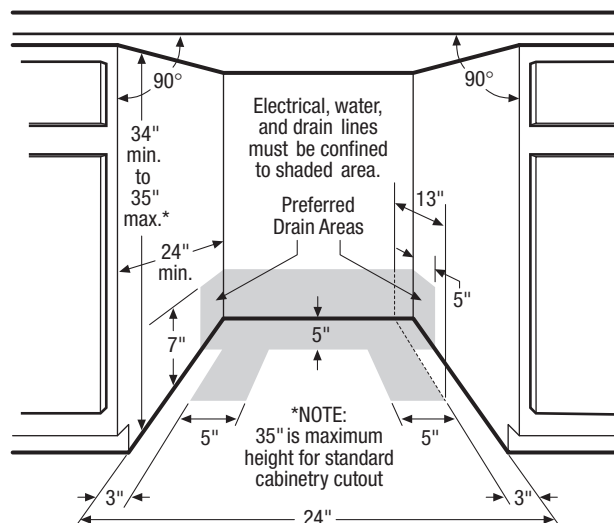
NOTE: Always consult local and/or national electric and plumbing codes. Refer to Product Installation Guide for detailed installation instructions on the web at electroluxicon.com.

Specifications subject to change.



Custom Panel Specifications

Height: 29 7/8" **Width:** 23 7/16"
Thickness: 3/4" required **Weight:** 16 lbs. max.
Note: Refer to web for detailed custom panel construction and installation instructions.



Built-In Dishwasher Specifications

- Product Weight – 82 Lbs.
- Voltage Rating – 120V/60Hz/ 15 Amps
- Connected Load (kW Rating) @ 120 Volts = 1.1kW
(For use on adequately wired 120V, dedicated circuit having 2-wire service with a separate ground wire. Appliance must be grounded for safe operation.)
- Amps @ 120 Volts = 9 Amps
- Always consult local and/or national electric & plumbing codes.
- Water Pressure – Hot water line to dishwasher must provide between 15 and 120 pounds per square inch (psi).
- Make sure location has right drain, water and electrical outlets to make connections.
- Keep back free of drain, water & electrical supply.
- Electrical and water supplies should enter cabinet opening on floor, or through back or side walls, as shown in shaded areas.
- Connections preferably located toward left side of dishwasher. Do not cross drain, water or electrical lines in front of motor, blower or frame.

- Minimum 32" drain loop, 1/2" minimum. Floor drains require siphon break.
- When installing in corner, allow 2" clearance between opened door and wall, to allow door to open.
- When installing at end of cabinet line, sides must be fully enclosed.
- Do not install unit under a cooktop, damage may occur.
- Leveling legs supplied to adjust height.

Custom Panel Specifications

- Panel Dimensions – 29-7/8"H x 23-7/16"W x 3/4"D
(Material MUST be 3/4" thick)
- Panel Weight – 16 Lbs. max.
- Refer to web for detailed custom panel construction and installation instructions.

Note: For planning purposes only. Refer to Product Installation Guide on the web at electroluxicon.com for detailed instructions.