

# **Electrolux**

## Factory Parts Catalog

|                           |                 |                 |                 |                 |
|---------------------------|-----------------|-----------------|-----------------|-----------------|
| Product No.               | E30DD75ESS      | E36DD75ESS      | E46DD75ESS      | E48DD75ESS      |
|                           | 30" retractable | 36" retractable | 46" retractable | 48" retractable |
| Market                    | North America   | North America   | North America   | North America   |
| Color                     | stainless       | stainless       | stainless       | stainless       |
| Owner's Guide             | 5995426193      | 5995426193      | 5995426193      | 5995426193      |
| Installation Instructions | 5995426227      | 5995426227      | 5995426227      | 5995426227      |
| Wiring Diagram            | EDD75ESS Wiring | EDD75ESS Wiring | EDD75ESS Wiring | EDD75ESS Wiring |

# **Electrolux**

ELECTROLUX HOME PRODUCTS, INC.  
 P.O. Box 212378  
 Augusta, GA 30917

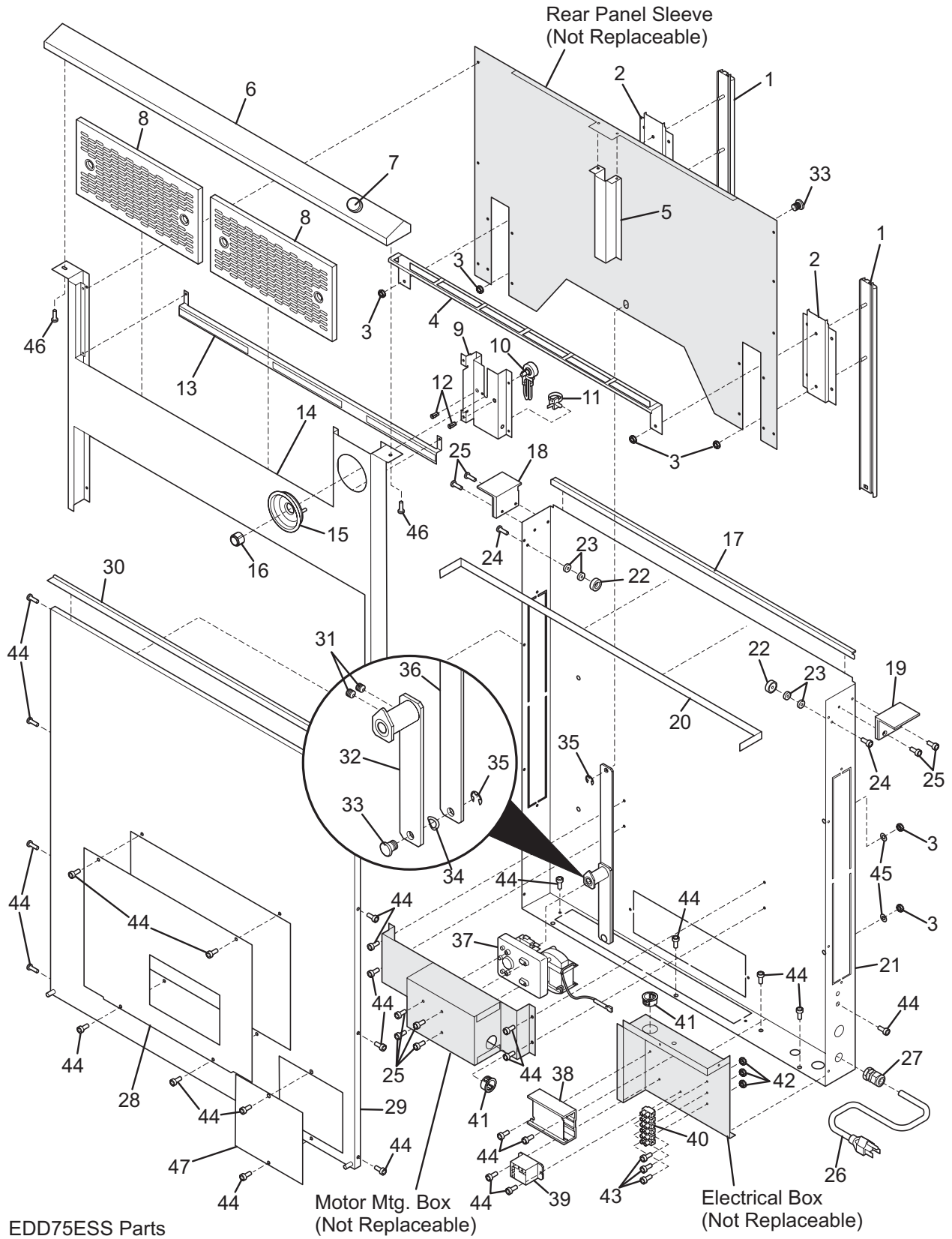
Publication No.  
**5995433116**  
 05/04/04  
 (EN/SERVICE/ECL)  
 099

## RANGE HOOD

Model No.  
 E30DD75E / E36DD75E /  
 E46DD75E / E48DD75E

Copyright © 2005 Electrolux Home Products, Inc.  
 All rights reserved.

### REPLACEMENT PARTS

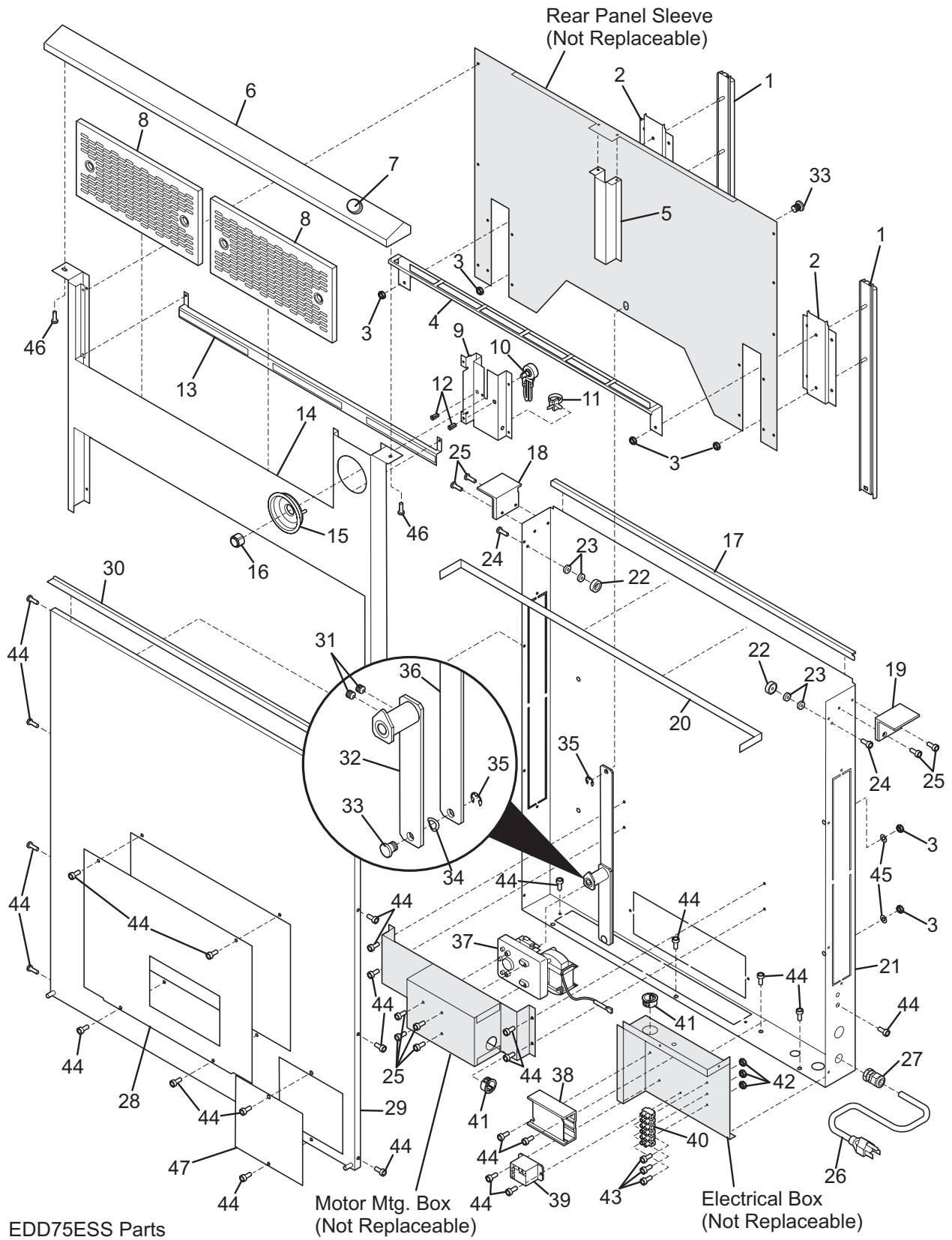


**REPLACEMENT PARTS**

*Model Index:* A E30DD75E (E30DD75ESS)  
 B E36DD75E (E36DD75ESS)  
 C E46DD75E (E46DD75ESS)  
 D E48DD75E (E48DD75ESS)

| POS. NO | PART NO.   |         | DESCRIPTION                          |
|---------|------------|---------|--------------------------------------|
| 1       | 5304446252 | A B C D | Slide, raise vent, (2)               |
| 2       | 5304446223 | A B C D | Bracket, slide mtg., (2)             |
| 3       | 5304446015 | A B C D | Nut, hex keps, #8-32, (9)            |
| 4       | 5304446264 | A - - - | Bracket, filter retainer, 30"        |
| 4       | 5304446265 | - B - - | Bracket, filter retainer, 36"        |
| 4       | 5304446266 | - - C D | Bracket, filter retainer, 46"/48"    |
| 5       | 5304446220 | A B C D | Support, filter                      |
| 6       | 5304446230 | A - - - | Top Cap, weldment, 30"               |
| 6       | 5304446232 | - B - - | Top Cap, weldment, 36"               |
| 6       | 5304446233 | - - C - | Top Cap, weldment, 46"               |
| 6       | 5304446231 | - - - D | Top Cap, weldment, 48"               |
| 7       | 5304446292 | A B C D | Switch, assembly, w/harness          |
| 8       | 5304446258 | A - - - | Filter Assy., 30", (2)               |
| 8       | 5304446260 | - B - - | Filter Assy., 36", (2)               |
| 8       | 5304446259 | - - C D | Filter Assy., 46"/48", (2)           |
| 9       | 5304446234 | A B C D | Bracket, potentiometer               |
| 10      | 5304446247 | A B C D | Potentiometer Assy., w/harness       |
| 11      | 5304446275 | A B C D | Tie, push mount, (3), locking        |
| 12      | 5304446291 | A B C D | Palnut, tinerman, (2)                |
| 13      | 5304446218 | A - - - | Spring Bracket Assy, w/tape, 30"     |
| 13      | 5304446219 | - B - - | Spring Bracket Assy, w/tape, 36"     |
| 13      | 5304446221 | - - C D | Spring Bracket Assy, w/tape, 46"/48" |
| 14      | 5304446239 | A - - - | Sleeve, 30", front                   |
| 14      | 5304446240 | - B - - | Sleeve, 36", front                   |
| 14      | 5304446238 | - - C D | Sleeve, 46"/48", front               |
| 15      | 5304446293 | A B C D | Bezel, control knob                  |
| 16      | 5304446294 | A B C D | Knob, control                        |
| 17      | 5304446268 | A - - - | Trim, rear plenum, 30"               |
| 17      | 5304446269 | - B - - | Trim, rear plenum, 36"               |
| 17      | 5304446270 | - - C D | Trim, rear plenum, 46"/48"           |
| 18      | 5304446256 | A B C - | Angle, rear plenum, 30"/36"/46", LH  |
| 18      | 5304446254 | - - - D | Angle, rear plenum, 48", LH          |
| 19      | 5304446255 | A B C - | Angle, rear plenum, 30"/36"/46", RH  |
| 19      | 5304446253 | - - - D | Angle, rear plenum, 48", RH          |
| 20      | 5304446244 | A - - - | Wiper, felt, 30"                     |
| 20      | 5304446245 | - B - - | Wiper, felt, 36"                     |
| 20      | 5304446246 | - - C D | Wiper, felt, 46"/48"                 |
| 21      | 5304446224 | A - - - | Weldment, plenum, 30", rear          |
| 21      | 5304446226 | - B - - | Weldment, plenum, 36", rear          |
| 21      | 5304446227 | - - C D | Weldment, plenum, 46"/48", rear      |
| 22      | 5304446262 | A B C D | Roller, nylon, (2)                   |
| 23      | 5304446249 | A B C D | Spacer, nylon, (4)                   |
| 24      | 5304446287 | A B C D | Screw, phil pan hd, #8-32 x 3/4, (2) |
| 25      | 5304446272 | A B C D | Screw, phil hd, #8-32 x 1/4, (8)     |
| 26      | 5304446261 | A B C D | Cord, power supply                   |
| 27      | 5304446288 | A B C D | Strain Relief                        |
| 28      | 5304446237 | A B C D | Panel, access, drive motor           |

### REPLACEMENT PARTS



## REPLACEMENT PARTS

*Model Index:*    A E30DD75E (E30DD75ESS)  
                       B E36DD75E (E36DD75ESS)  
                       C E46DD75E (E46DD75ESS)  
                       D E48DD75E (E48DD75ESS)

| POS. NO | PART NO.   |         | DESCRIPTION                                  |
|---------|------------|---------|--|
| 29      | 5304446225 | A - - - | Weldment, plenum, 30", front                 |
| 29      | 5304446228 | - B - - | Weldment, plenum, 36", front                 |
| 29      | 5304446229 | - - C D | Weldment, plenum, 46"/48", front             |
| 30      | 5304446241 | A - - - | Seal, countertop, 30"                        |
| 30      | 5304446242 | - B - - | Seal, countertop, 36"                        |
| 30      | 5304446243 | - - C D | Seal, countertop, 46"/48"                    |
| 31      | 5304446280 | A B C D | Screw, set, 1/4-28 UNF, X 1/4 cup point, (2) |
| 32      | 5304446251 | A B C D | Drive Arm                                    |
| 33      | 5304446267 | A B C D | Stud, drive arm, (2)                         |
| 34      | 5304446285 | A B C D | Spring washer, drive arm                     |
| 35      | 5304446283 | A B C D | C-Clip, (2)                                  |
| 36      | 5304446250 | A B C D | Raise Arm                                    |
| 37      | 5304446263 | A B C D | Motor Assy., drive, w/switch                 |
| 37*     | 5304446295 | A B C D | Harness, red                                 |
| 37*     | 5304446298 | A B C D | Harness, blue                                |
| 37*     | 5304446302 | A B C D | Harness, black                               |
| 37*     | 5304446282 | A B C D | Tie, cable, 4054 RT 350, (1)                 |
| 38      | 5304446248 | A B C D | Control, AC phase                            |
| 38*     | 5304446303 | A B C D | Harness, phase control, to relay             |
| 38*     | 5304446304 | A B C D | Jumper Harness, phase control, to relay      |
| 39      | 5304446257 | A B C D | Relay, 10A                                   |
| 39*     | 5304446300 | A B C D | Harness, realy-pwr input                     |
| 39*     | 5304446301 | A B C D | Harness, realy-neutral                       |
| 39*     | 5304446297 | A B C D | Harness, switch-relay                        |
| 40      | 5304446933 | A B C D | Strip, terminal                              |
| 40*     | 5304446299 | A B C D | Harness, ground terminal                     |
| 41      | 5304446279 | A B C D | Bushing, heyco, sb-875-11, (2)               |
| 42      | 5304446290 | A B C D | Nut, hex keps, #4-40, zinc, (3)              |
| 43      | 5304446289 | A B C D | Screw, phil pan hd, #4-40 x .625, (3)        |
| 44      | 5304446271 | A B C D | Screw, phil pan hd, #8 x 1/4, (34)           |
| 45      | 5304446273 | A B C D | Washer, SAE, #10, (4)                        |
| 46      | 5304446284 | A B C D | Screw, phil flat hd, #8-32 x 1/4, (2)        |
| 47      | 5304446979 | A B C D | Cover, electrical box                        |
| *       | 5304446296 | A B C D | Harness, main                                |
| *       | 5304446281 | A B C D | Wire Nut, yellow, (3)                        |
| *       | 5304446222 | A B C D | Transition Duct, kit assembly                |
| *       | 5304446235 | A B C D | • Leg, support, LH                           |
| *       | 5304446236 | A B C D | • Leg, support, RH                           |
| *       | 5304446276 | A B C D | • Wire Nut, orange, (3)                      |
| *       | 5304446274 | A B C D | • Screw, phil trs hd, #10 x 1/2, (2)         |
| *       | 5304446277 | A B C D | • Screw, phil flat hd, #14 x 1/2, (4), wood  |
| *       | 5304446278 | A B C D | • Nut, hex keps, 1/4-20, (2)                 |
| *       | 5304446286 | A B C D | • Washer, flat, 1/4-20, (2)                  |

**WIRING DIAGRAM**

